



# V21 User Guide

*Dual 21" Subwoofer for External Amplification*

“Thank you for purchasing a Procella Audio loudspeaker system!”

*We recommend that Procella loudspeakers be installed and tuned by a trained Procella technician. Please consult with your dealer or Procella Audio for assistance with determining the proper speaker positions in your room.*

**Package contents:** Procella V21 V-subwoofer - 4 ea. Vibration Insulating Feet - This installation guide

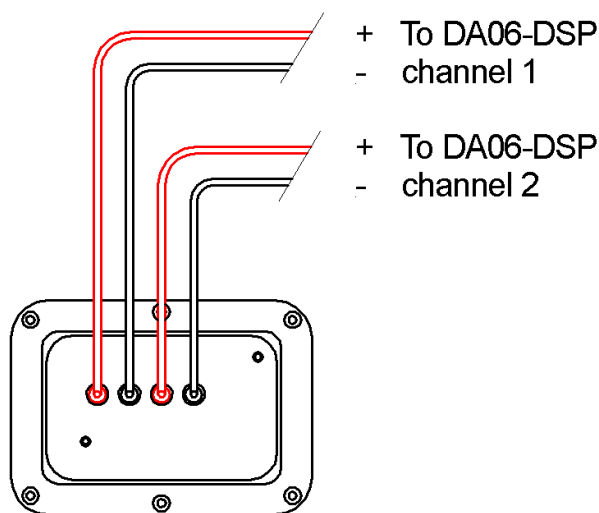
External amplification and a DSP is required for operation of the V21. The V21 is intended to be used with a Procella DA06-DSP two channel professional power amplifier, or a Procella DA07 with external DSP. If you do not intend to use a DA06-DSP amplifier, please contact your dealer or Procella Audio for advice on external DSP settings.

## Installation in the room:

- If no other instructions have been provided, when installing a single Procella V21 subwoofer, it should be positioned on the floor, <https://ibmwr.org/index.php/k-bike-tech-articles/> against a wall or built in into a wall or Baffle wall.
- When installing a V21 as a main Subwoofer, it is recommended that it is positioned below the screen, but not on the center line of the room.
- For installation behind a screen, hidden behind acoustically transparent fabric, or in any case where the front of the loudspeaker is not visible, the cloth frame should be left off.
- Position the four enclosed soft vibration insulating feet evenly under the enclosure. Make sure the enclosure does not touch any other surfaces.

## Connection to the amplifier:

- The subwoofer inputs are located on the left side of the cabinet. Two pairs of Binding Posts are provided; each set is connected to one of the V21 drivers. and should be connected directly to the amplifier outputs as shown at right.
- The RED terminal is positive(+) and the BLACK is negative (-)
- Two sets of speaker cables from the amplifier are required. Each pair of cables should be connected to one set of binding posts (one red, one black) per the illustration at right. This provides a dual 8 ohm load to the Amplifier. Always make sure that there are no short circuits between the cables.
- For cable runs up to 12m (40 feet) from the amplifier, use minimum 2.5mm<sup>2</sup>/AWG14 cable.
- For cable runs up to 25m (80 feet) from the amplifier, use minimum 4mm<sup>2</sup>/AWG12 cable.
- Select the appropriate V21 PRE-SET on the DA06-DSP



*- The V21 needs a break-in period of at least 40h at a SPL-level in excess of 75dB -*

Please contact your local Procella Audio dealer or Procella Audio directly should you have any further questions. We love to hear from our customers with feedback on our loudspeaker products.

Email: [contact@procella.audio](mailto:contact@procella.audio) Website: [www.procella.audio](http://www.procella.audio)