



P15-FP

Subwoofer with External Amplification

Technical Specifications



- High output subwoofer for mid to large-size rooms
- Twin 15" pro long-throw drivers with 3" voice coils
- 300W+300W with Procella DA05-DSP or 600W+600W with Procella DA06-DSP rack-mount power amplifiers
- Critically reinforced sealed-box design
- Maximum output 125 dB @ 50 Hz
- - 3 dB point 22 Hz
- Shallow depth (8.75" / 222mm deep)
- Amplifiers provide DSP control for room boundary conditions:
 - against wall
 - in corner
 - in baffle wall

Frequency Response

-3 dB 22 Hz

Maximum SPL

@ 50 Hz 125dB

Components

Dual long-throw 15" drivers with 75mm voice coils in 75 litre sealed box

Impedance

Each driver is 8 ohms nominal

Power Handling

Continuous 2 x 800 W
Peak 2 x 1,600W

Sensitivity

1m/1W 97 dB

Connectivity

Dual gold-plated binding posts
One input per driver

Construction

Heavily internally braced MDF
Black painted finish

Dimensions

HxWxD 22.4" x 36.6" x 8.75"
570 x 930 x 222 mm

Shipping Carton

27.2" x 42.5" x 15"
690 x 1080 x 380mm

Net weight

92 Lbs / 41.7 Kg

Shipping weight

105 Lbs / 47.7 Kg (plus pallet)

Included

Damper feet
Parallel connection cables

Assembly

Sweden; 100% QC testing

DA05-DSP and DA-06DSP Power Amplifiers

Sold and packaged separately.
See DA-05 / DA-06 Tech Sheet for details.

Class D Power

DA05-DSP 300W + 300W continuous
DA06-DSP 600W + 600W continuous

DSP Settings

Against wall, in corner
In baffle wall

Line Voltage

100 - 250V, 40 - 80 Hz

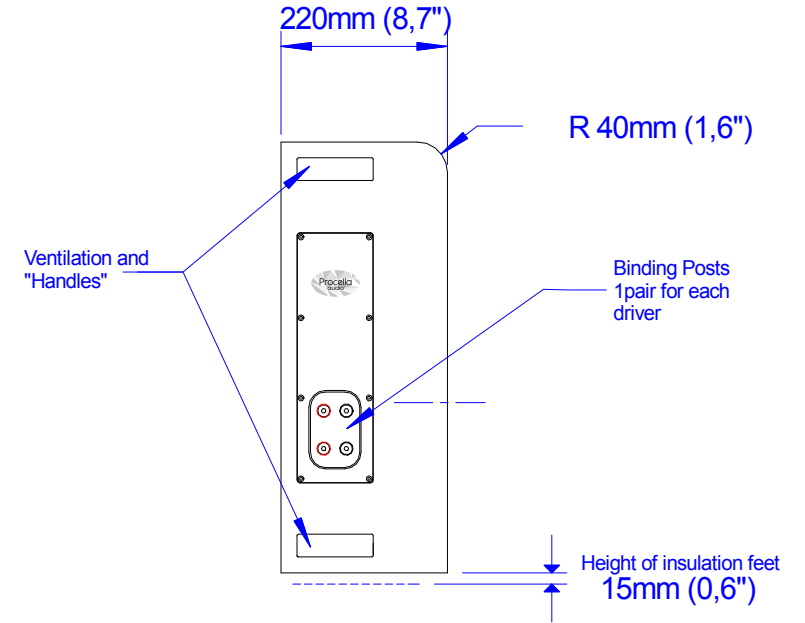
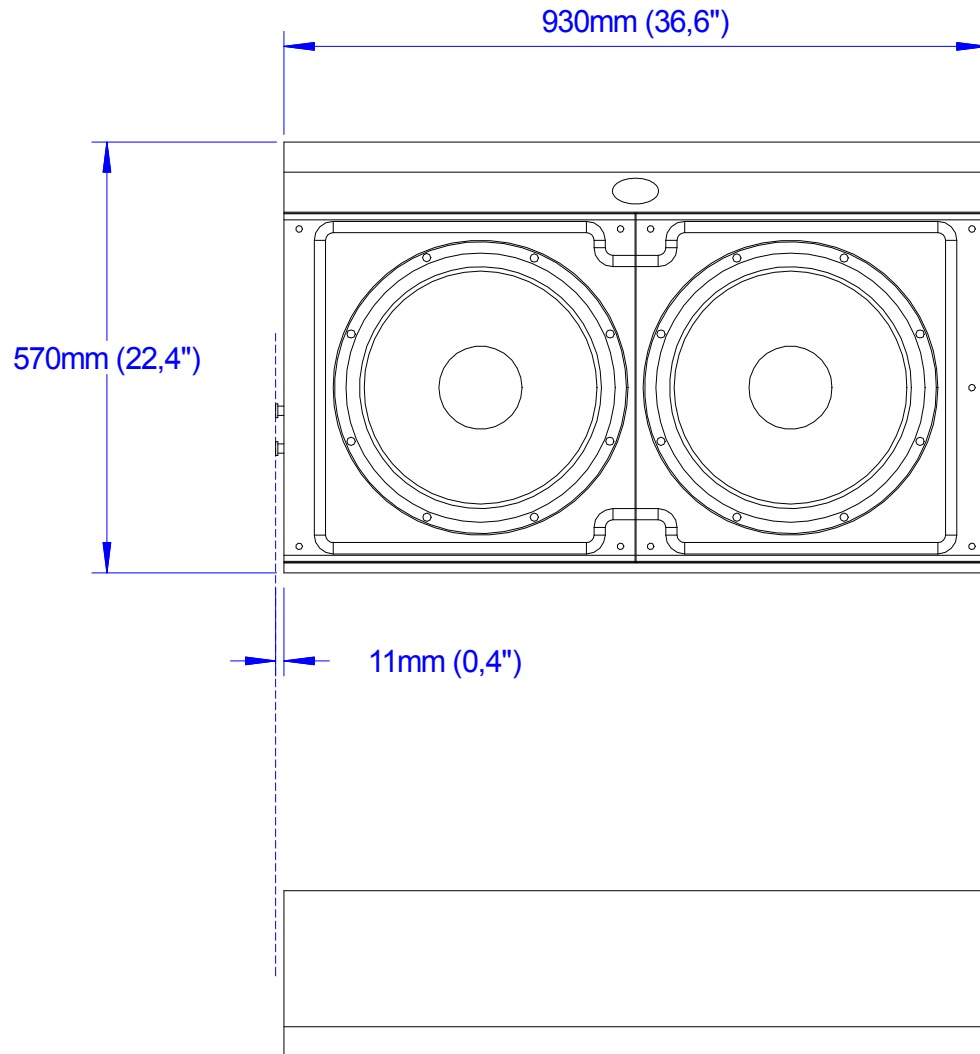
Dimensions

WxHxD 19" x 1.75" (1U) x 14.1"
483 x 44 x 359 mm

Weight

13.7 lbs / 6.2 Kg

P15-FP



Baffle wall cut-out = 980 x 600mm (38.6" x 23.7")
Weight = 42kg (93 lbs)



Procella P15-FP dimensions
Anders Uggelberg 25/7-17
UPD:
P15FP_vue.CAD
Scale 1:10 (PDF/JPG-file not to scale)