



# P610

## Biampified L/C/R Speaker

### Technical Specifications



- High output main speaker for mid to large size rooms 15 to 30 feet (5 to 9 meters) in depth
- Full-range operation with extension to 40 Hz
- Requires external active biampification with DSP crossover: Optimal performance with Procella DA-05DSP, DA-06DSP or two channels of the DA-2800-DSP power amplifier
- 1 inch compression driver on elliptical constant directivity waveguide: 90°H x 60°V from 2.0 kHz
- 10 inch Pro-quality, Italian-made long-throw woofer with 2.5" (65mm) voice coil
- High-efficiency 6.5 inch midrange with 1.5" 40mm voice coil
- Identical Voice™ timbre-matched to Procella P8, P6, P5, P28, P815 and P860
- Very shallow depth (150mm / 5.9 inches deep)
- All sealed-box design for superior transient response

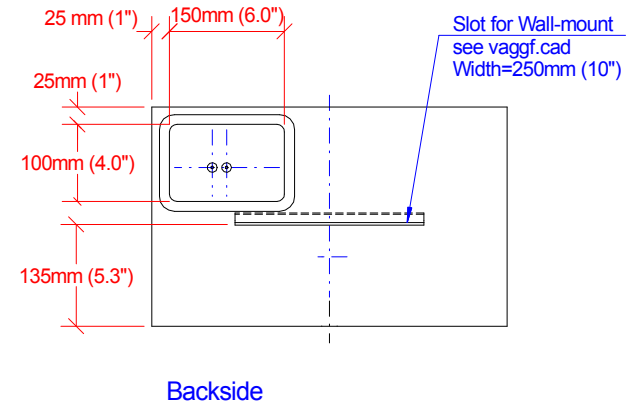
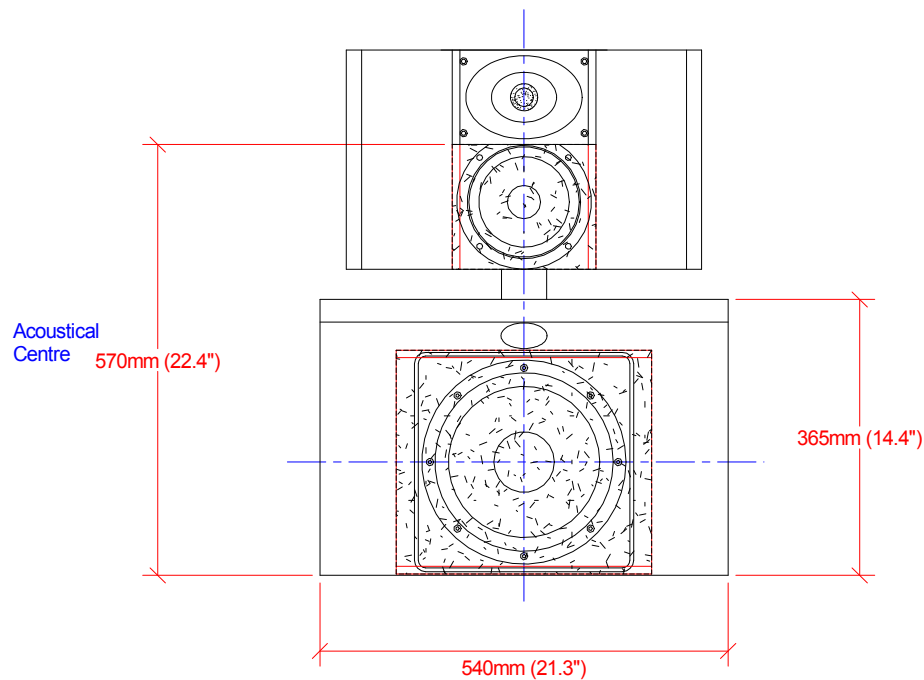
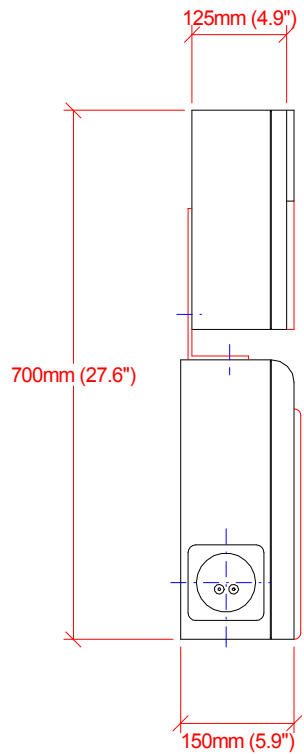
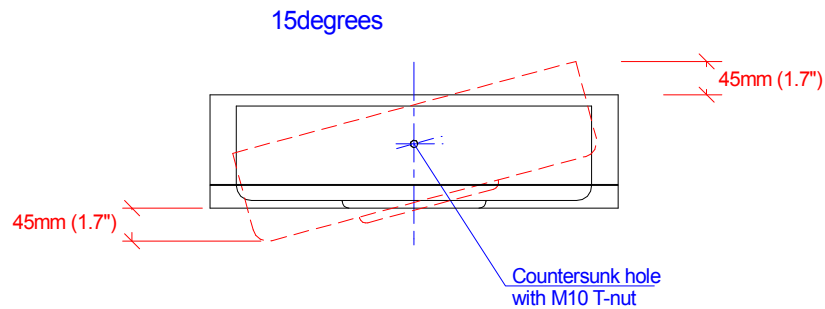
<b>Impedance</b>	8 Ohms nominal (each input)
<b>Power handling</b>	
Low Frequency	350 Watts continuous, 1,000 Watts peak
High Frequency	100 Watts continuous, 300 Watts peak
<b>Sensitivity</b>	
1m/1W	92 dB
<b>Maximum SPL</b>	
free-standing	116dB continuous, 122dB peak
in baffle wall	122dB continuous, 128dB peak
<b>Frequency response</b>	
-3dB points	40Hz and 20kHz
<b>Dispersion pattern</b>	
-6dB	Constant directivity: 90°H x 60°V from 2.0 kHz
<b>Crossover</b>	4th Order Linkwitz-Riley 1.9 kHz (internal to P6) 150Hz (external DSP required)
<b>Connectivity</b>	Two pair gold-plated binding posts
<b>Construction</b>	Void free MDF, internally cross-braced Painted black finish

<b>Components</b>	
Low Frequency (P10Si)	10 inch long-throw driver with 65mm voice coil in 18 litre sealed box
Midrange (P6)	6.5 inch driver with 40mm voice coil in 9 litre sealed box
High Frequency (P6)	1 inch compression driver with a Polyester diaphragm on a Procella-designed elliptical constant directivity waveguide

<b>Dimensions and Net Weight</b>	
HxWxD	700 x 540 x 150 mm 27.6" x 21.25" x 5.9"
Weight	20 Kg 44.1 lbs.

<b>Shipping Cartons (2) and Weight</b>	
P6 HxWxD	240 x 580 x 380 mm 9.5" x 22.8" x 15"
P6 Weight	10.4 Kg / 22.9 lbs.
P10Si HxWxD	310 x 640 x 500 mm 12.2" x 25.2" x 19.7"
P10Si Weight	13.4 Kg / 29.5 lbs.

<b>Included</b>	Loudspeaker bracket, Damper feet
<b>Assembly</b>	Sweden; 100% QC testing



Baffle wall cut-out = 750 x 560mm (29.5"x22")  
 Weight = 21kg, (46lb)



Procella P610 1(1)  
 Assembly  
 Anders Uggelberg 07/6 -11  
 UPD: 23/8  
 P610.CAD  
 Scale 1:10 (PDF/JPG-file not to scale)