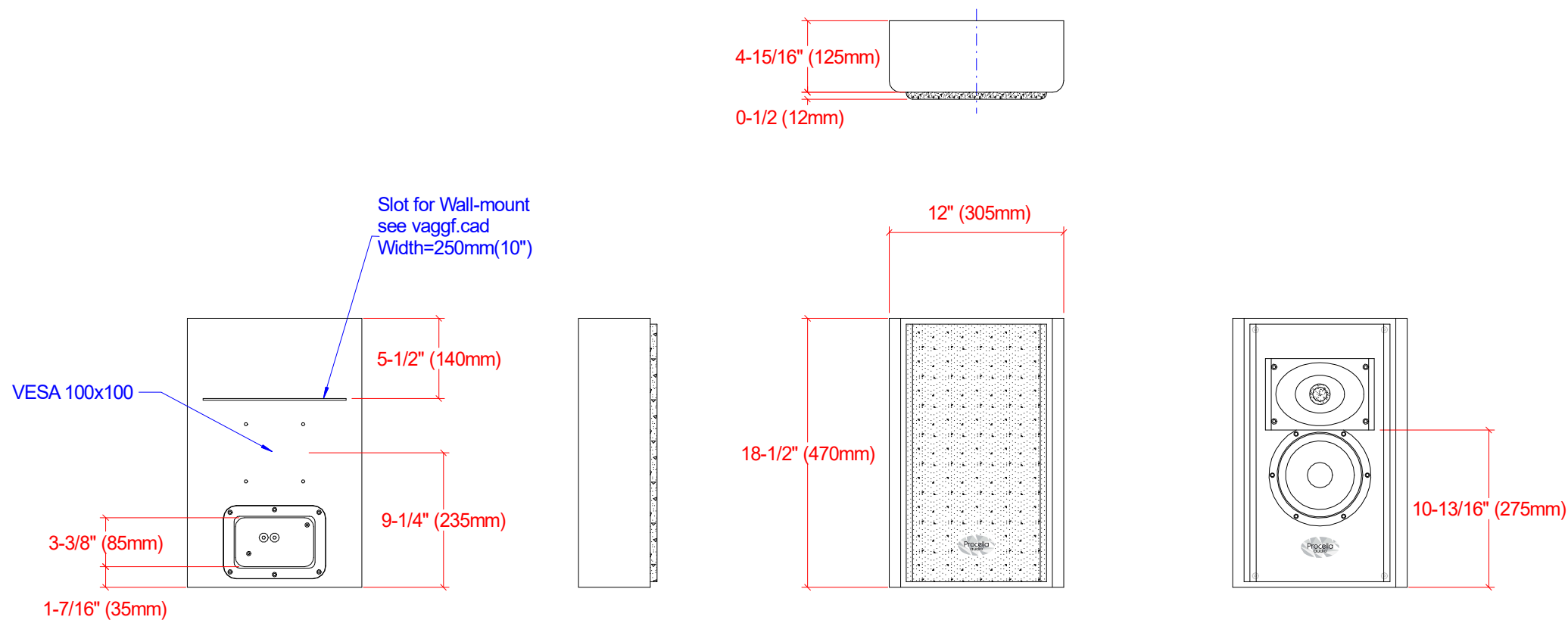


P6V mkII



Baffle wall cut-out = 330 x 500mm (12,6" x 19,7")
Weight P6V = 9.5kg / 21Lbs



Procella P6V mkII Ext Dimensions
Anders Uggelberg 23may -21
UPD:8/12
Scale 1:10 (PDF/JPG-file not to scale)
P6V_mkII_VUE.CAD