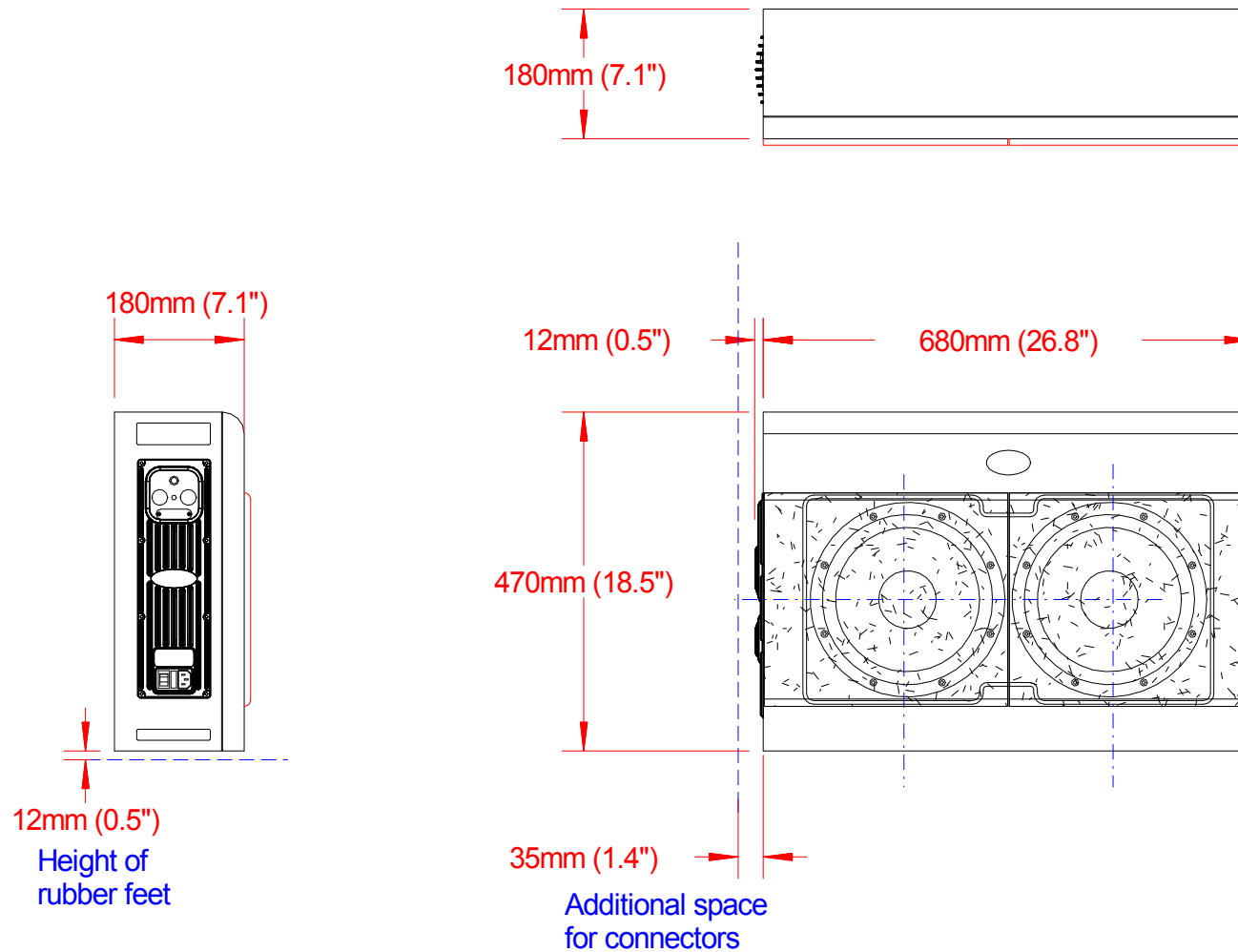


P10



Baffle wall cut-out P10 = 720 x 500mm (28.4" x 20")
Weight = 24kg



Procella P10 dimensions

Anders Uggeberg, Aug23 -11

UPD:

Scale 1:10 (PDF/JPG-file not to scale)

P10_ext_dim.CAD