



V21

Bass Engine II Subwoofer

Technical Specifications



- Procella's highest output subwoofer
- Maximum output 145 dB @ 50 Hz
- Highest SPL in any environment:
from home theaters to small cinemas
- Twin 21" long-throw drivers with Neodymium magnets and 4.5" voice coils
- -3 dB point 18 Hz
- V-Loaded driver configuration increases output, lowers distortion and improves transient response
- Critically reinforced sealed-box design
- Amplification through external Procella power amplifier
- Procella DA5000-DSP amplifier delivers 2,500 + 2,500 Watts

Frequency Response

- 3 dB 18 Hz

Maximum SPL @50 Hz

Continuous 139 dB
Peak 145 dB

Components Dual long-throw professional 21" drivers with 4.5" voice coil, Aluminum demodulation ring and Neodymium magnets in 255 litre sealed box

Impedance Each driver is 8 ohms nominal

Power Handling

Continuous 2 x 1,700W
Peak 2 x 3,200W

Sensitivity

1m/1W 106 dB

Connectivity Dual gold-plated binding posts
One input per driver

Construction Heavily internally braced MDF
Semi matte textured black paint finish

Dimensions

HxWxD 600 x 1050 x 670 mm
23.625" x 41.3" x 26.375"

Net Weight 81 Kg
179 lbs.

Shipping 850 x 1200 x 800 mm
HxWxD 33.5" x 47.25" x 31.5"
(palletized crate)

Shipping weight 99 Kg
219 Lbs

In the box Damper feet, Protective grille,
User guide

Assembly Sweden; 100% QC testing

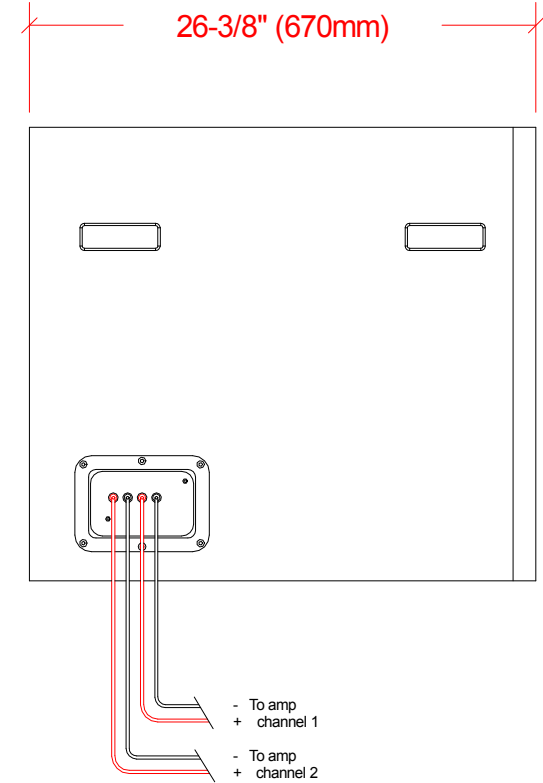
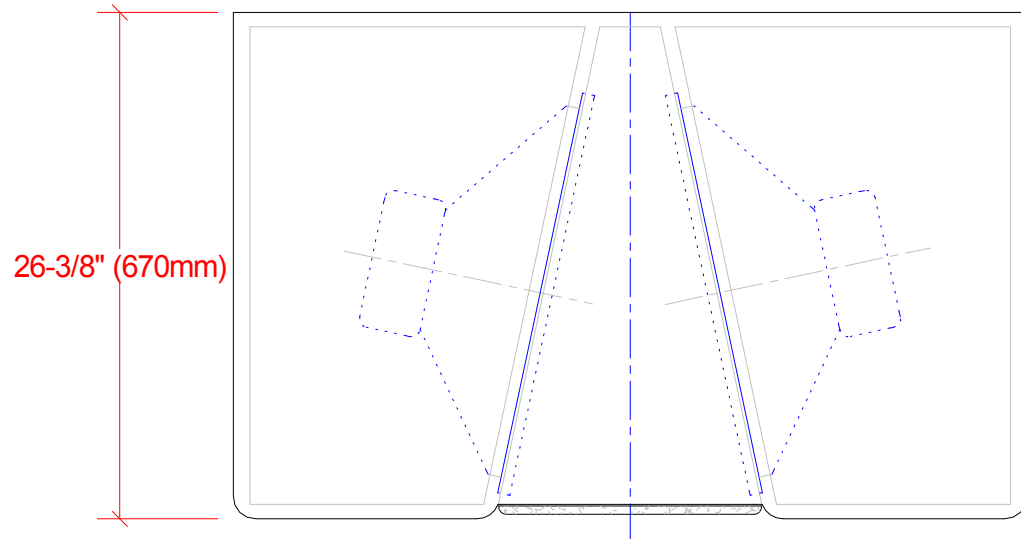
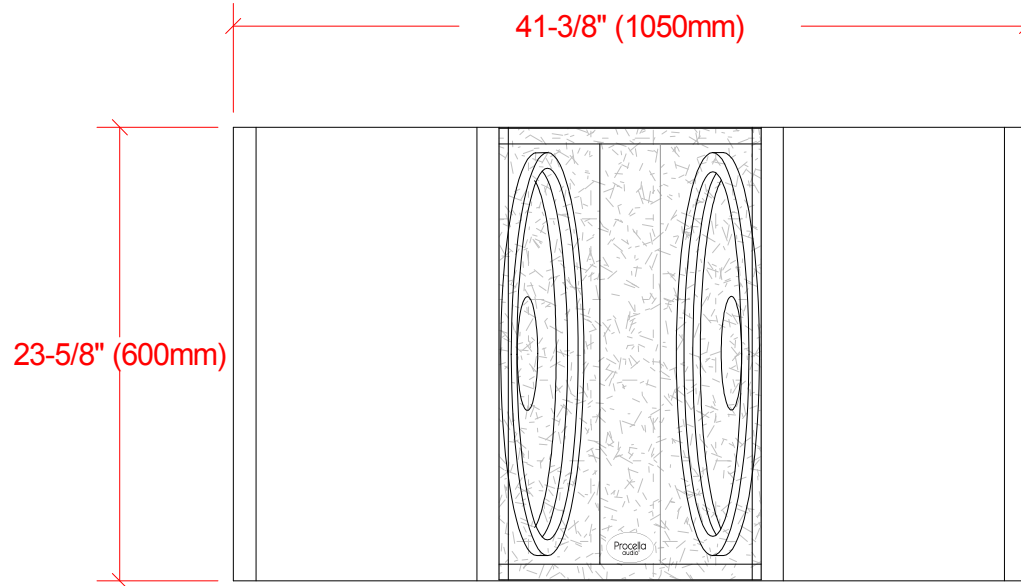
DA5000-DSP External Amplification

Two channels of external power amplification are required. Procella's recommended amplifiers are sold and packaged separately. See DA5000-DSP Tech Sheet for details.

DA5000-DSP 2 x 2,500W @ 8 ohms, bridged

Provides EQ for subwoofer, plus room compensation for placement: against wall, in corner, in baffle wall

V21



Procella V21
Anders Uggeberg 21/4 -18
UPD: 1
Scale 1:10 (PDF/JPEG not to scale)
V21_vue.CAD

