



# V21

## Bass Engine II Subwoofer

### Technical Specifications



- Procella's highest output subwoofer
- Maximum output 145 dB @ 50 Hz
- Highest SPL in any environment:  
from home theaters to small cinemas
- Twin 21" long-throw drivers with Neodymium magnets and 4.5" voice coils
- -3 dB point 18 Hz
- V-Loaded driver configuration increases output, lowers distortion and improves transient response
- Critically reinforced sealed-box design
- Amplification through external Procella power amplifier
- Procella DA07 amplifier delivers 1,400 + 1,400 Watts
- Procella DA-06DSP amplifier delivers 600 + 600 Watts

#### Frequency Response

- 3 dB                      18 Hz

#### Maximum SPL @50 Hz

Continuous            139 dB  
Peak                      145 dB

**Components**            Dual long-throw professional 21" drivers with 4.5" voice coil, Aluminum demodulation ring and Neodymium magnets in 255 litre sealed box

**Impedance**                Each driver is 8 ohms nominal

#### Power Handling

Continuous            2 x 1,700W  
Peak                      2 x 3,200W

#### Sensitivity

1m/1W                    106 dB

**Connectivity**            Dual gold-plated binding posts  
One input per driver

**Construction**            Heavily internally braced MDF  
Semi matte textured black paint finish

#### Dimensions

HxWxD                    600 x 1050 x 670 mm  
23.625" x 41.3" x 26.375"

**Net Weight**                81 Kg  
179 lbs.

**Shipping**                    850 x 1200 x 800 mm  
HxWxD                    33.5" x 47.25" x 31.5"  
(palletized crate)

**Shipping weight**        99 Kg  
219 Lbs

**In the box**                    Damper feet, Protective grille,  
User guide

**Assembly**                    Sweden; 100% QC testing

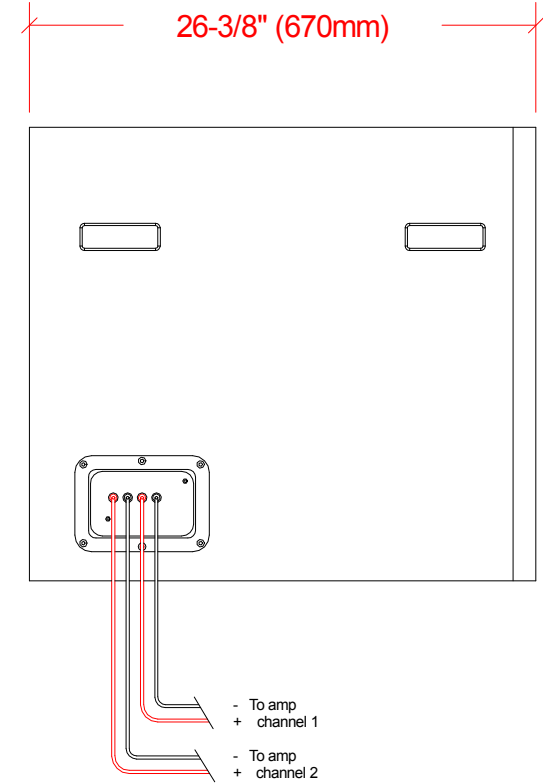
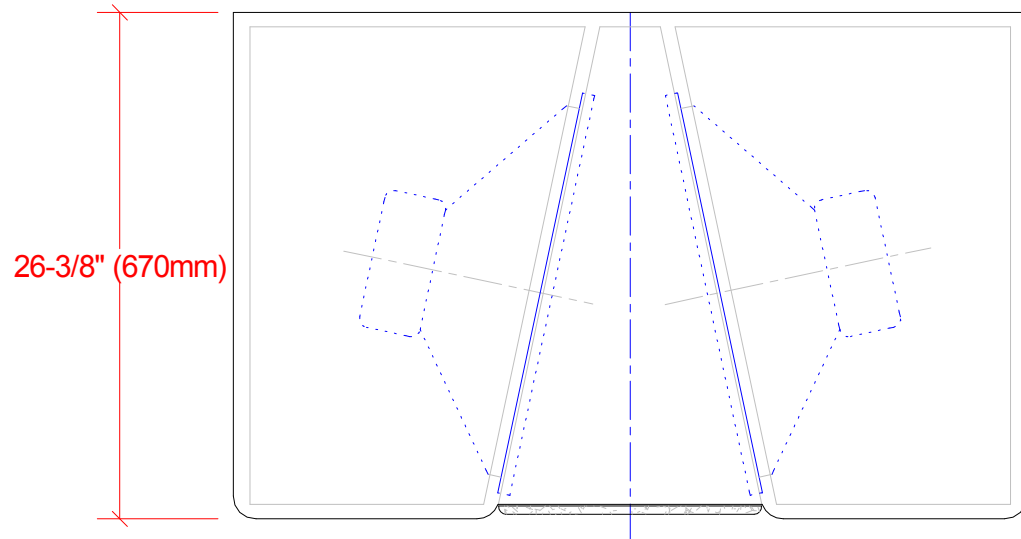
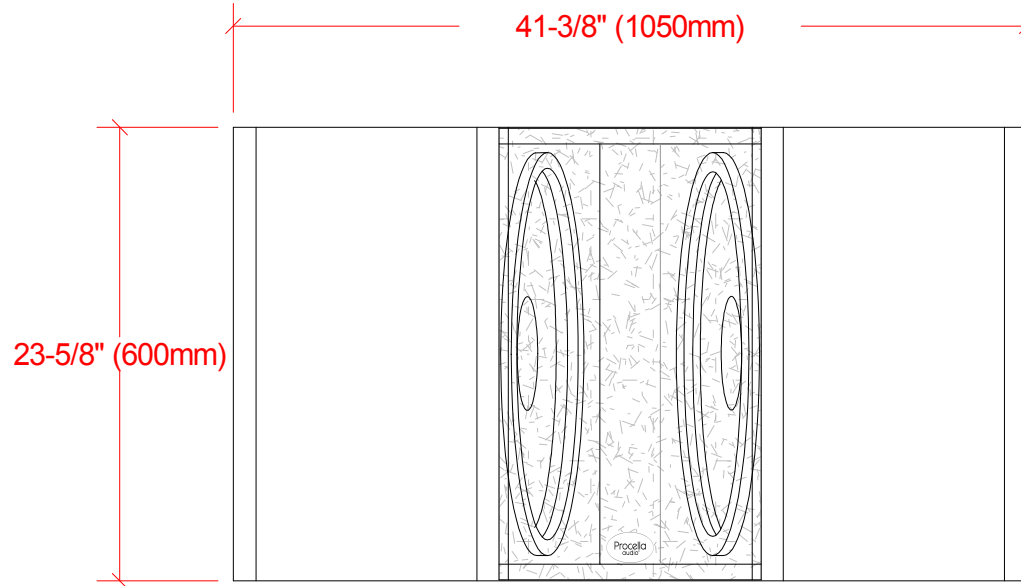
#### Amplification

Two channels of external power amplification are required. Procella's recommended amplifiers are sold and packaged separately. See DA07 and DA06-DSP Tech Sheet for details.

**Power**  
DA-07                        2 x 1,450W @ 8 ohms  
DA06-DSP                2 x 600W @ 8 ohms

**DSP**  
DA-07                        Requires external DSP  
DA06-DSP                Provides EQ for subwoofer, plus room compensation for placement: against wall, in corner, in baffle wall

# V21



**Procella V21**  
Anders Uggelberg 21/4 -18  
UPD: 1  
Scale 1:10 (PDF/JPEG not to scale)  
V21\_vue.CAD

