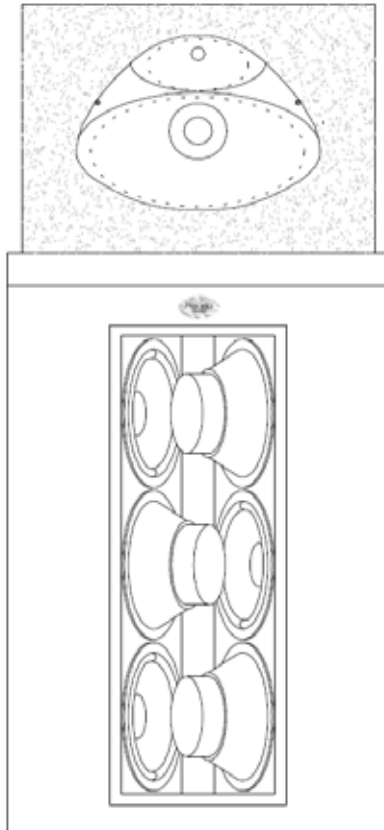




C124V

Three-Way Tri or Quad Amplified Behind Screen Cinema Loudspeaker

Technical Specifications



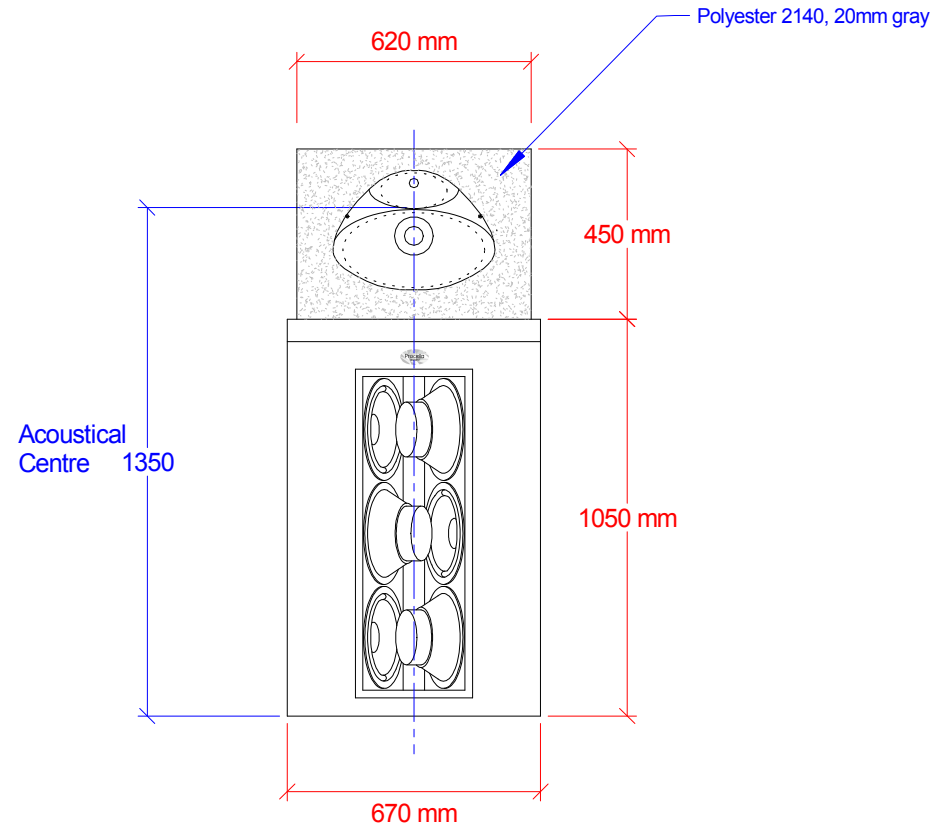
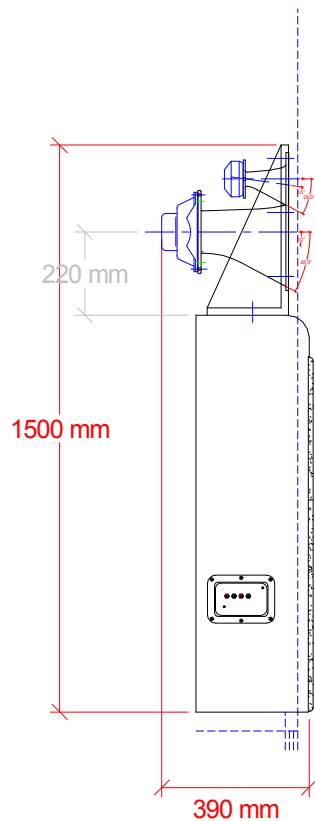
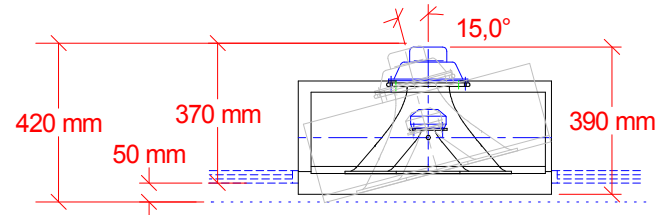
- Three-way Tri or Quad Amplified Screen loudspeaker for behind screen mounting in medium to large size rooms
- Six 10" high power low frequency drivers in V-loaded sealed enclosure
- High-power 8" midrange driver on a constant directivity waveguide
- High Frequency Compression driver on a constant directivity waveguide
- Uniform asymmetric 80° horizontal x 30° vertical coverage above 1kHz
- Mid/High frequency module can be rotated horizontally
- Very shallow enclosure
- Enclosure provides 10° tilt for mid and high frequency drivers
- Optional passive 4th order Linkwitz-Riley midrange to high frequency crossover

Specifications are subject to change without notice.

Room Size	≥ 150 seats
Room Length	15m - 35m
Loudspeaker Type	3-way: Quad-Amplified, or Tri-Amplified with passive crossover
Impedance	
Low Frequency	2 inputs, each 4 Ohm
High Frequency	1 or 2 inputs, each 8 Ohm
Power handling	<i>Continuous</i> <i>Peak</i>
Low Frequency	2 x 1,000W 2 x 2,000W
High Frequency	250W 500W
DSP	1 channel in - 3 channel out; PEQ required
Amplifier	4 channels recommended, 3 channels optional
Sensitivity	
1m/1W	102dB LF, 106dB HF
Maximum SPL	135dB continuous, 141dB peak
Frequency response	
-3dB points	50Hz and 16kHz

Dispersion pattern	
-6dB	Constant directivity. Above 700 Hz: 80° horizontal x 20° vertical below axis 80° horizontal x 10° vertical above axis
Passive Crossover	4th Order Linkwitz-Riley @1.9 KHz
Components	
Low	6 x 10" Neodymium driver with 2.5" voice coil in V-loaded sealed enclosure
Mid	8" Neodymium driver on elliptical constant directivity waveguide
High	1" driver with 2" voice coil and Polymer diaphragm on elliptical constant directivity waveguide
Termination	2 x 4 pole SPEAKON
Construction	Void free MDF internally cross braced Painted black matte finish
Dimensions	
HxWxD	1500 x 670 x 520/300/390 mm
Net weight	80 Kg

C124V



Baffle wall cut-out = 1540 x 700mm
Weight = TBA



Procella C124V Assembly
Anders Uggelberg 23/8 -16
UPD: 28/8
C124V_ext_dim.CAD
Scale 1:20 (PDF/JPG-file not to scale)