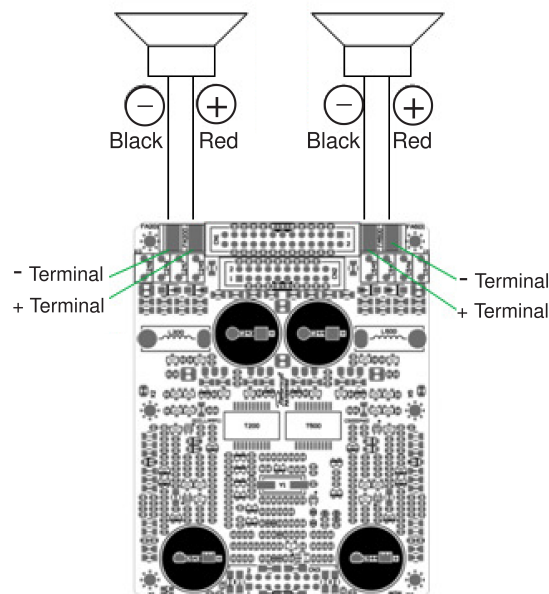




Conversion of a Procella amplified subwoofer to -FP version

Parts needed: 4 each 6.3mm insulated crimp connectors (12 – 14 AWG)

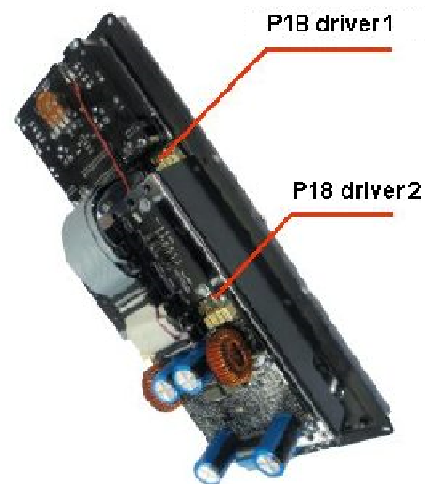
1. Position the enclosure with the amplifier facing up
2. Remove the 8 M4 mounting bolts securing the amplifier, using a 3mm Hex key.
2. Carefully remove the Amplifier from the cabinet. Take caution not to damage the "sticky" cable sealant around the speaker cable entry on the inside.
3. There are two sets of speaker cables connected to the amplifier, one set for each driver. Disconnect the leads from the amplifier. See Illustration to the right for P10/P15. and below for P18.
4. The flat connectors on the leads have to be replaced in order to connect to the Fill Plate. Cut each lead to remove the 4.8mm flat connector. Replace with 6.3mm connectors by stripping insulation from each lead and crimping the 6.3 connectors in place.



The Binding posts should be connected with the RED cable (+) to the Red Binding post and the BLACK cable (-) to the Black Binding post

5. Connect the cables to the Binding posts in the Fill Plate with one pair of Black and Red cables connected to the upper Red and Black Binding posts and the second pair of Black and Red cables connected to the lower pair of Binding posts.

If there is any doubt about what cables are a pair, check with a Resistance meter or a 1.5-9V battery to confirm that each pair of Binding posts are connected to the same speaker driver.



6. Carefully position the Fill Plate in the cabinet.
7. Secure the Fill Plate with the 8 mounting bolts.

If there are any questions or problems, contact Procella Audio at contact@procella-audio.com.