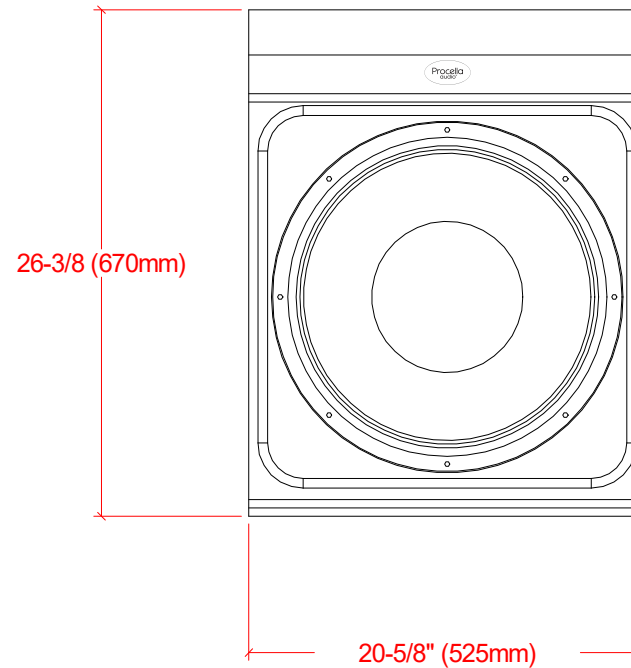
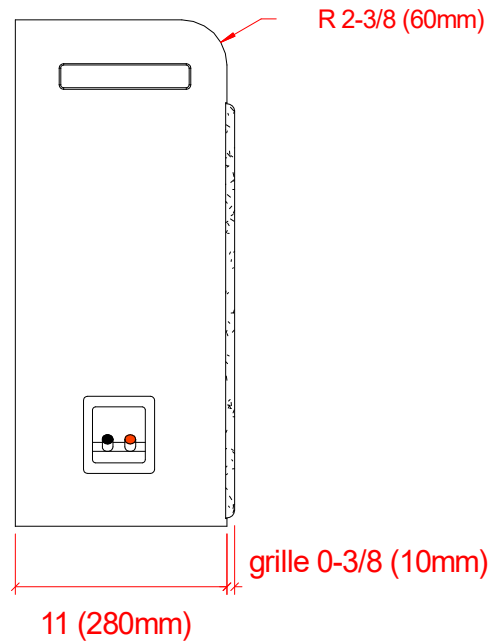


P18Si



Baffle wall cut-out = 540 x 710mm (21,3" x 28")

Black, semi matte structured paint
VB: 67L
Packaging: 600x800x400mm



Procella P18Si
P18Si_vue.CAD
Anders Uggeberg 14/6 -22
UPD:
Scale 1:10 (PDF/JPG-file not to scale)