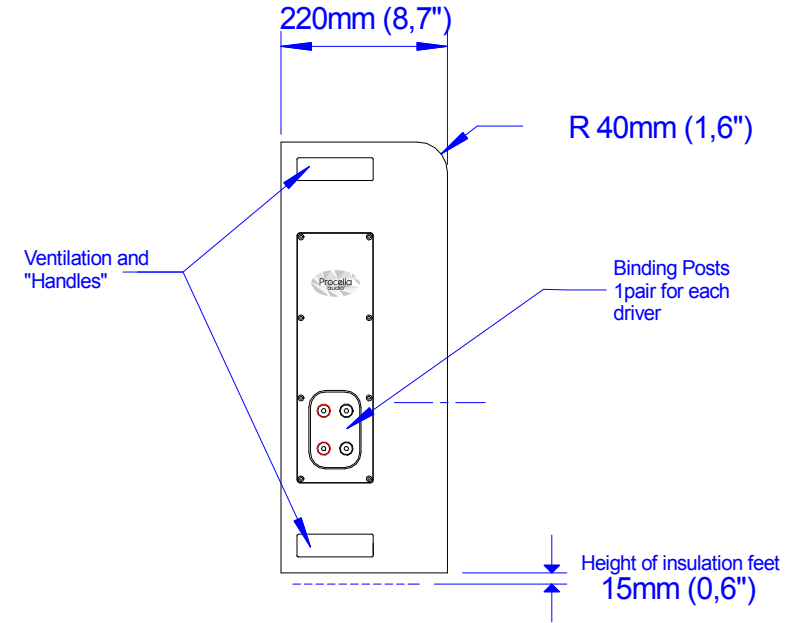
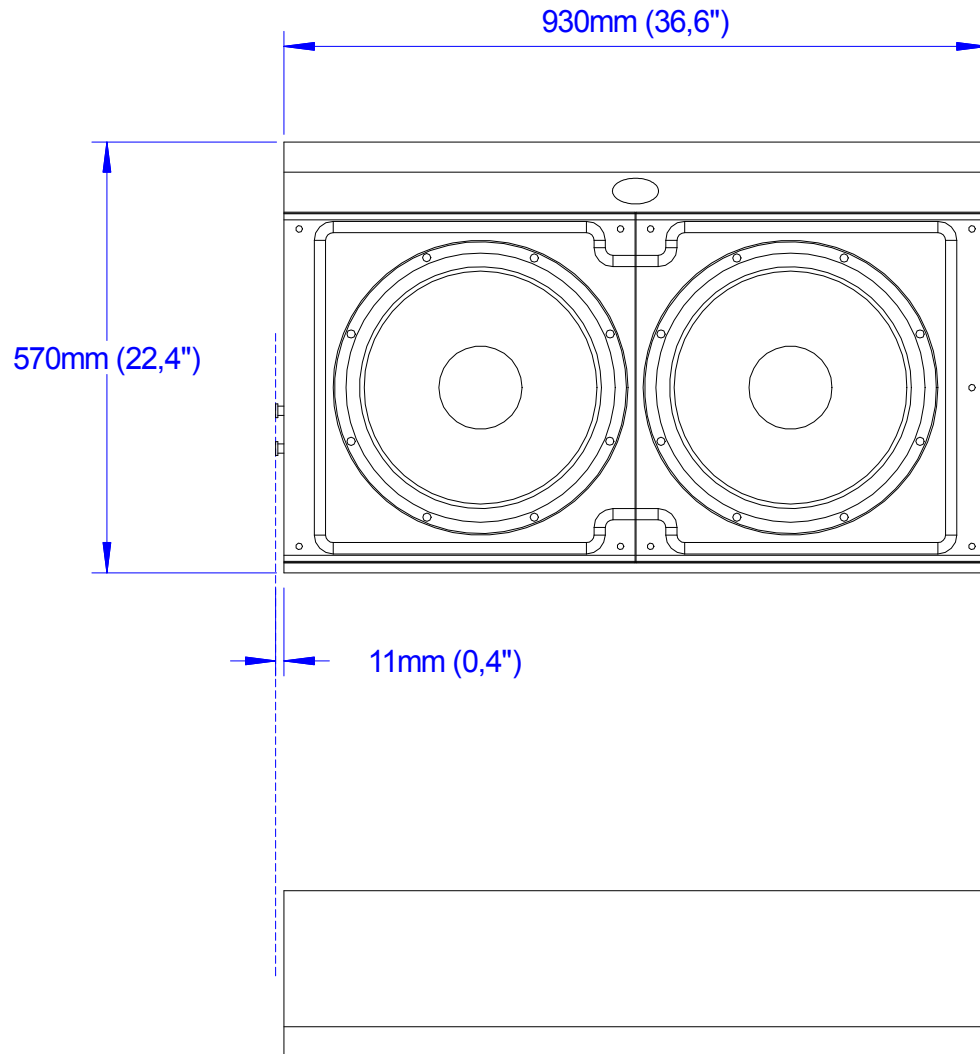


P15-FP



Baffle wall cut-out = 980 x 600mm (38.6" x 23.7")
Weight = 42kg (93 lbs)



Procella P15-FP dimensions
Anders Uggelberg 25/7-17
UPD:
P15FP_vue.CAD
Scale 1:10 (PDF/JPG-file not to scale)