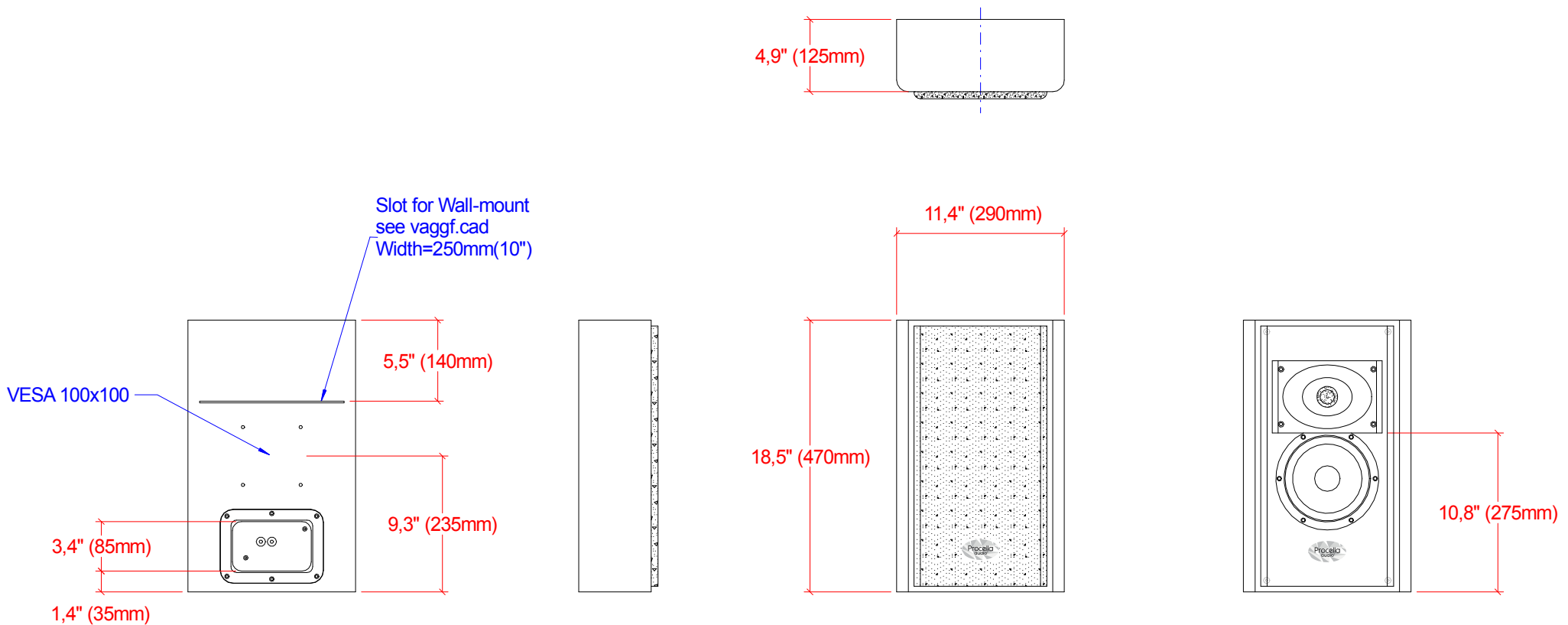


P6V



Baffle wall cut-out = 330 x 500mm (12,6" x 19,7")
Weight P6V = 9.5kg / 21Lbs



Procella P6V Ext Dimensions
Anders Uggelberg 21oct -15
UPD: 31/1-17
Scale 1:10 (PDF/JPG-file not to scale)
P6_V_VUE.CAD