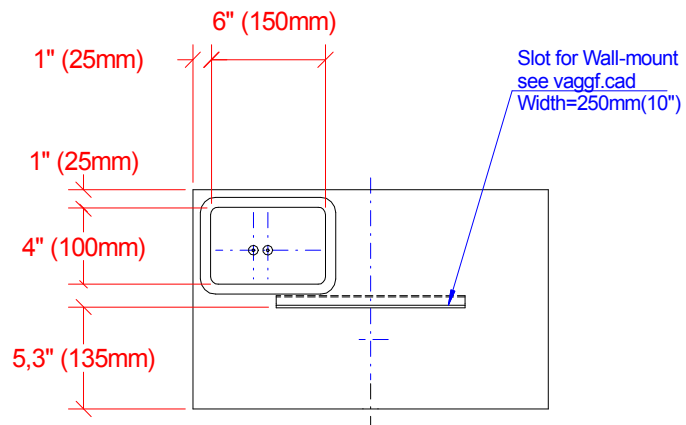
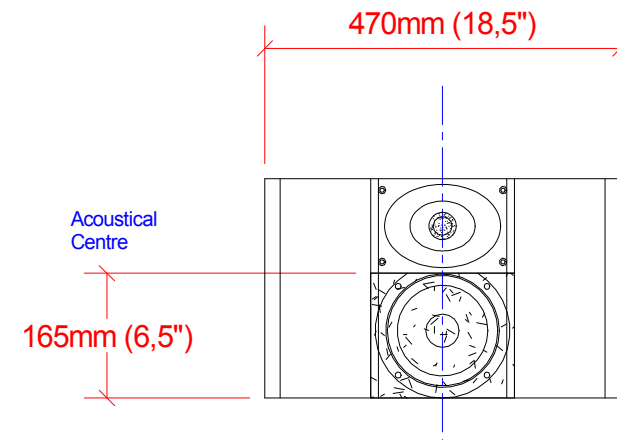
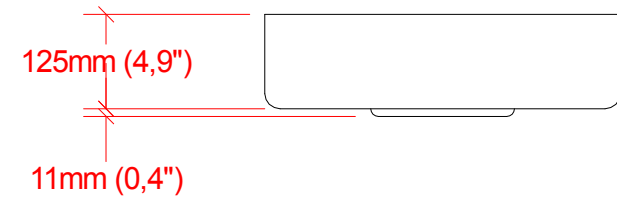
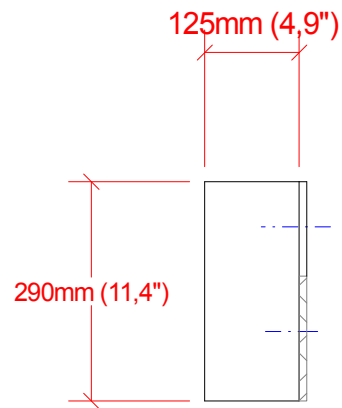


P6



Backside



Baffle wall cut-out = 500 x 330mm (19.7" x 12.6")
Weight P6 = 9.5kg / 21Lbs



Procella P6 dimensions
Anders Uggeberg, Aug -11
UPD:17/1-17
Scale 1:10 (PDF/JPG-file not to scale)
P6_ext.dim.CAD