



# P5iW

## In-Wall L/C/R/Surround/Height Speaker

### Technical Information



- Identical performance and sound quality as Procella's award-winning P5 bookshelf
- All MDF sealed-box with integral back box
- Drivers, crossover, and input terminals mounted on detachable front baffle
- Wing clamp mounting is easy, quick and enables speaker removal
- Main speaker for small to mid-size rooms; surround or height channel for any room

- 5.25" high-efficiency woofer driver
- 1" pro compression driver on 80° circular constant directivity waveguide
- Ideal for ceiling mounted Atmos and overhead 3D Audio height channels
- Flat fabric grill attaches magnetically to complete elegant appearance
- Both white fabric and black fabric grilles are included

**Impedance** 8 Ohms nominal. Phase angles less than 45 degrees.

**Power handling**  
Continuous 75 Watt  
Peak 250 Watt

**Sensitivity**  
1m/1w 91dB

**Maximum SPL** 113dB continuous, 119dB peak

**Frequency response**  
-3dB points 90 Hz and 20 kHz

**Dispersion pattern**  
-6dB Constant directivity;  
80° circular from 2.5kHz

**Crossover** Asymmetrical and phase-aligned  
2.2kHz, BSC

**Connectivity** Gold plated large diameter  
binding posts

**Components**  
Midrange 5.25" driver with 26mm voice coil  
in 5 litre sealed box

**High Frequency** 1" compression driver, circular  
constant directivity waveguide

**Construction** Solid MDF, sealed back box

**Dimensions**  
Speaker WxH 11.8" x 18.5" / 300 x 470 mm  
Depth overall 4.53" / 115 mm  
inside wall 3.9" / 98mm (fits U.S. walls)  
Wall cut-out Grille WxH 10.25" x 17" / 260 x 430 mm  
12.6" x 19.3" / 320 x 490 mm

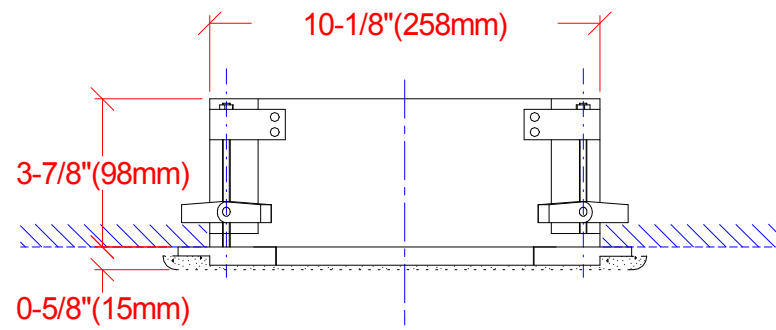
**Shipping Carton**  
HxWxD 9.65" x 15.75" x 23.6" / 245 x 400 x 600 mm

**Net weight** 14.3 Lbs. / 6.5 Kg

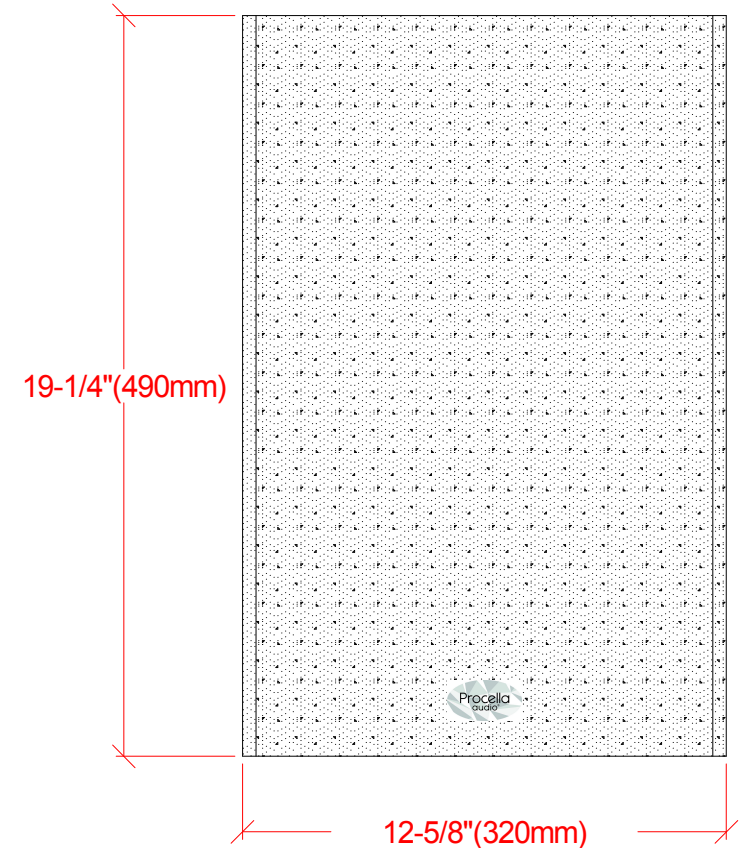
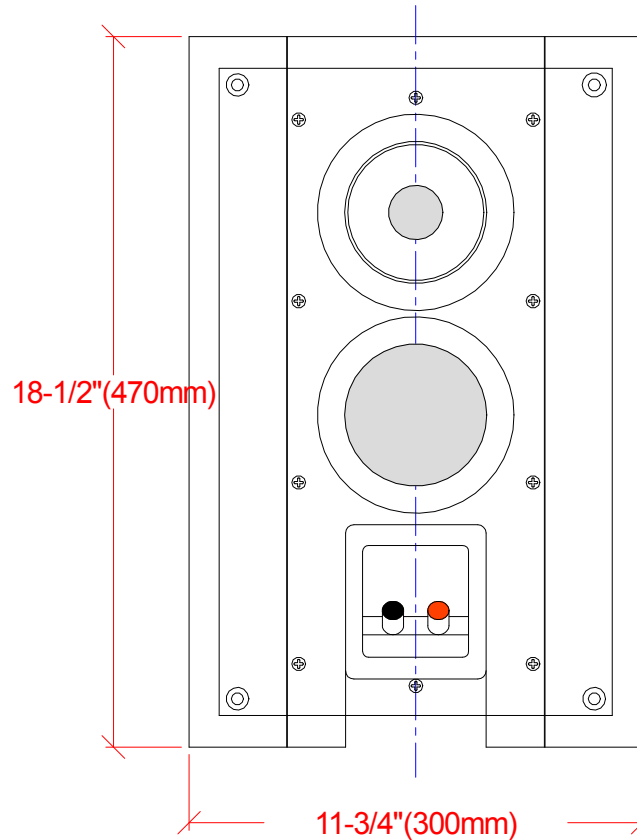
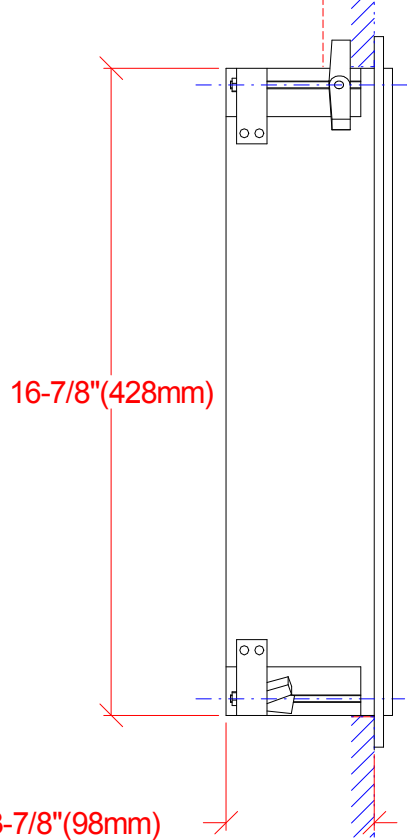
**Shipping weight** 17.6 Lbs. / 8 Kg

**Assembly** Sweden; 100% QC testing

# P5iW



MAX 1-3/8" (35mm)  
MIN 0-5/8" (15mm)



Wall cut-out = 10.25"x17" (260x430mm)  
Weight = 6,5kg  
Box volume = 7.4L  
Package: 600x400x245mm



Procella P5 inWall  
Anders Uggelberg, 11jan-16  
UPD:8/8-17,  
Scale 1:5 (PDF/JPG-file not to scale)  
P5iw\_ext\_dim.CAD