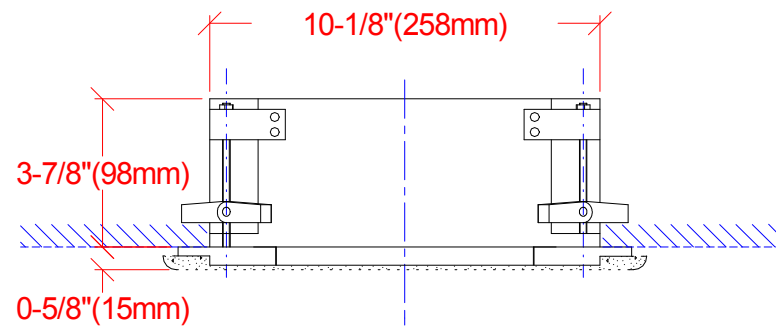
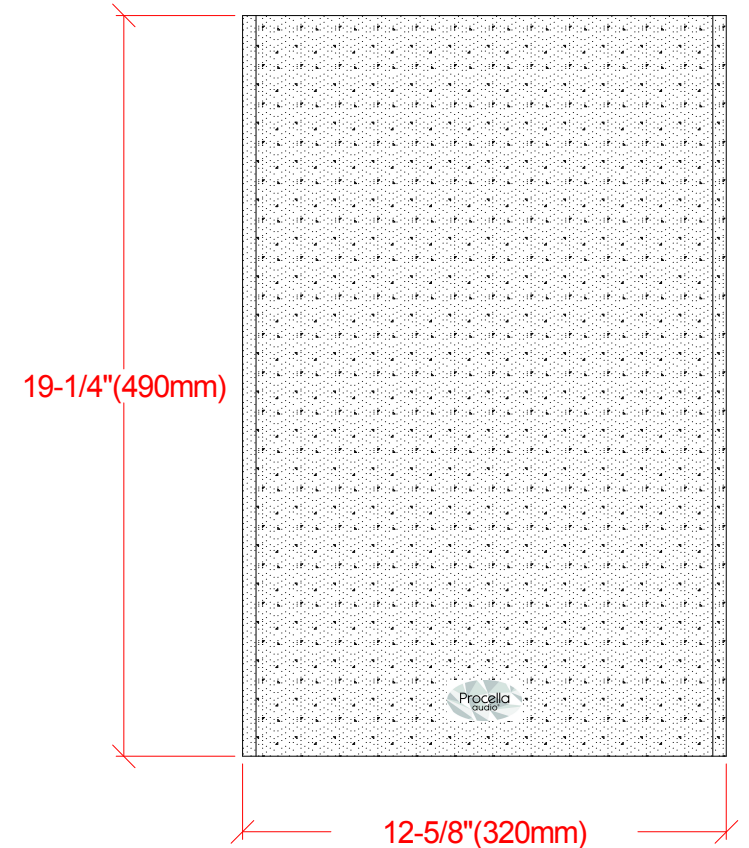
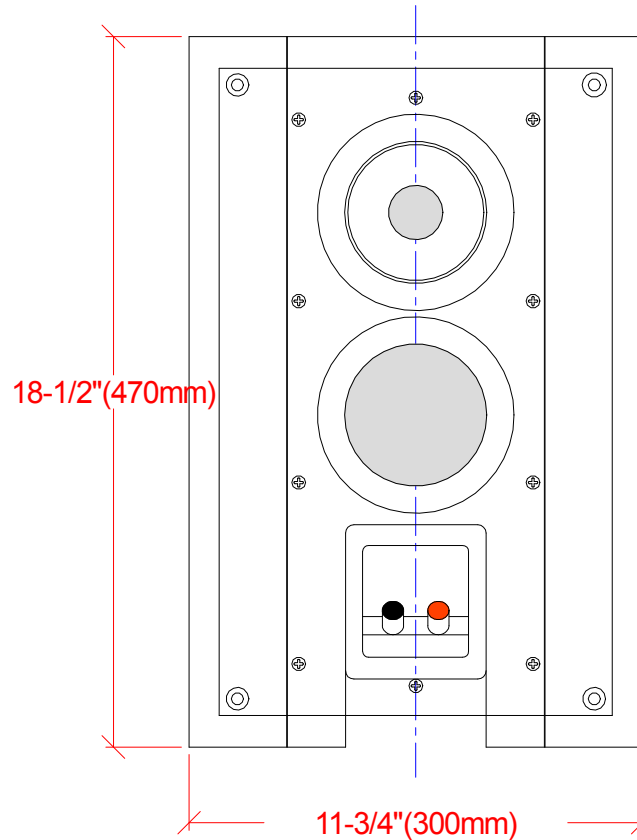
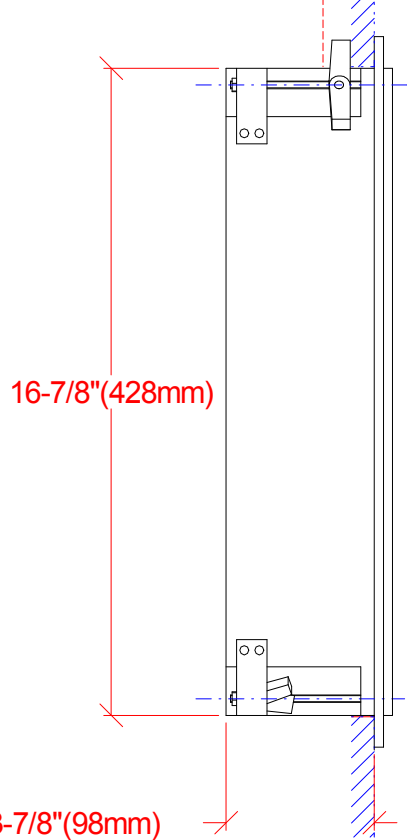


P5iW



MAX 1-3/8" (35mm)
MIN 0-5/8" (15mm)



Wall cut-out = 10.25"x17" (260x430mm)
Weight = 6,5kg
Box volume = 7.4L
Package: 600x400x245mm



Procella P5 inWall
Anders Uggelberg, 11jan-16
UPD:8/8-17,
Scale 1:5 (PDF/JPG-file not to scale)
P5iw_ext_dim.CAD