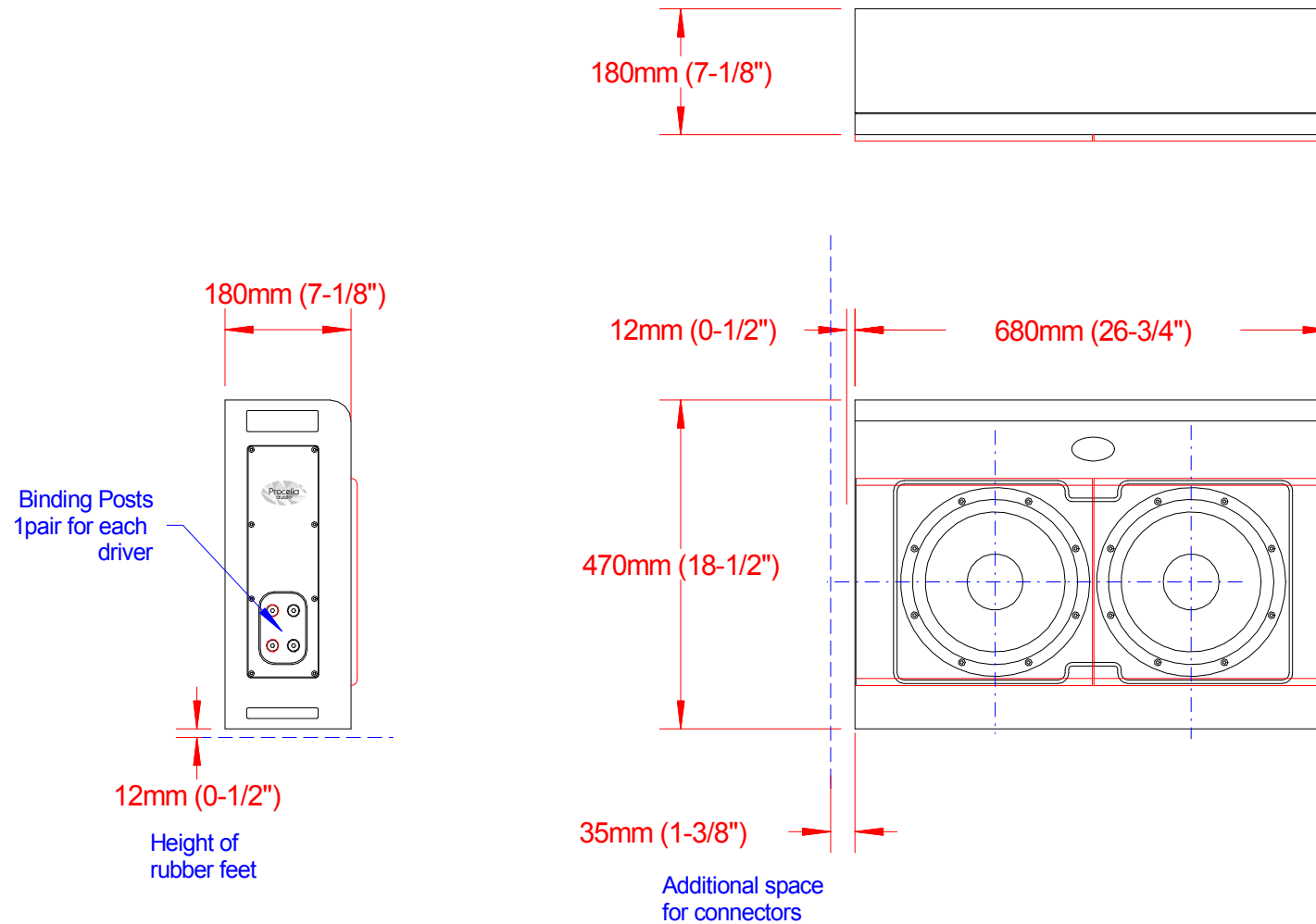


P10-FP



Baffle wall cut-out P10 = 720 x 500mm (28.4" x20")
Weight = 19kg (51Lbs)



Procella P10-FP dimensions
Anders Uggeberg, 25/7-17
UPD:
Scale 1:10 (PDF/JPG-file not to scale)
P10-FP_ext_dim.CAD