



# P10-FP

## Subwoofer with External Amplification

### Technical Specifications



- Recommended for small to mid-size rooms
- Twin 10" long-throw drivers with 2.5" voice coils
- 300W+300W with Procella DA05-DSP rack-mount power amplifier
- Critically reinforced sealed box cabinet design
- Maximum output 119 dB @ 50Hz
- - 3 dB point 26 Hz
- Ultra-slim profile (7.1" / 180mm deep)
- Amplifiers provide DSP control for room boundary conditions:
  - against wall
  - in corner
  - in baffle wall

#### Frequency Response

-3 dB 26 Hz

#### Maximum SPL @ 50 Hz

119 dB

**Components** Dual long-throw 10" drivers with 65mm voice coils in 36 litre sealed box

**Impedance** Each driver is 8 ohms nominal

#### Power Handling

Continuous 2 x 300 W

Peak 2 x 750 W

#### Sensitivity

1m/1W 95 dB

#### Connectivity

Dual gold-plate binding posts  
One input per driver

#### Construction

Heavily internally braced MDF  
Studio vinyl finish as standard

#### Dimensions

HxWxD 18.5" x 26.8" x 7.1"  
470 x 680 x 180 mm

**Shipping Carton** 12.25" x 31.5" x 23"  
310 x 800 x 585 mm

**Net weight** 43 Lbs  
19.5 Kg

**Shipping weight** 51.8 Lbs  
23.5 Kg

**Included** Damper feet  
Parallel connection cables

**Assembly** Sweden; 100% QC testing

#### DA05-DSP Power Amplifier

Sold and packaged separately.

See DA-05 / DA-06 Tech Sheet for details.

**Class D Power** 300W + 300W continuous

**DSP Settings** Free standing, Against wall,  
In corner, In baffle wall

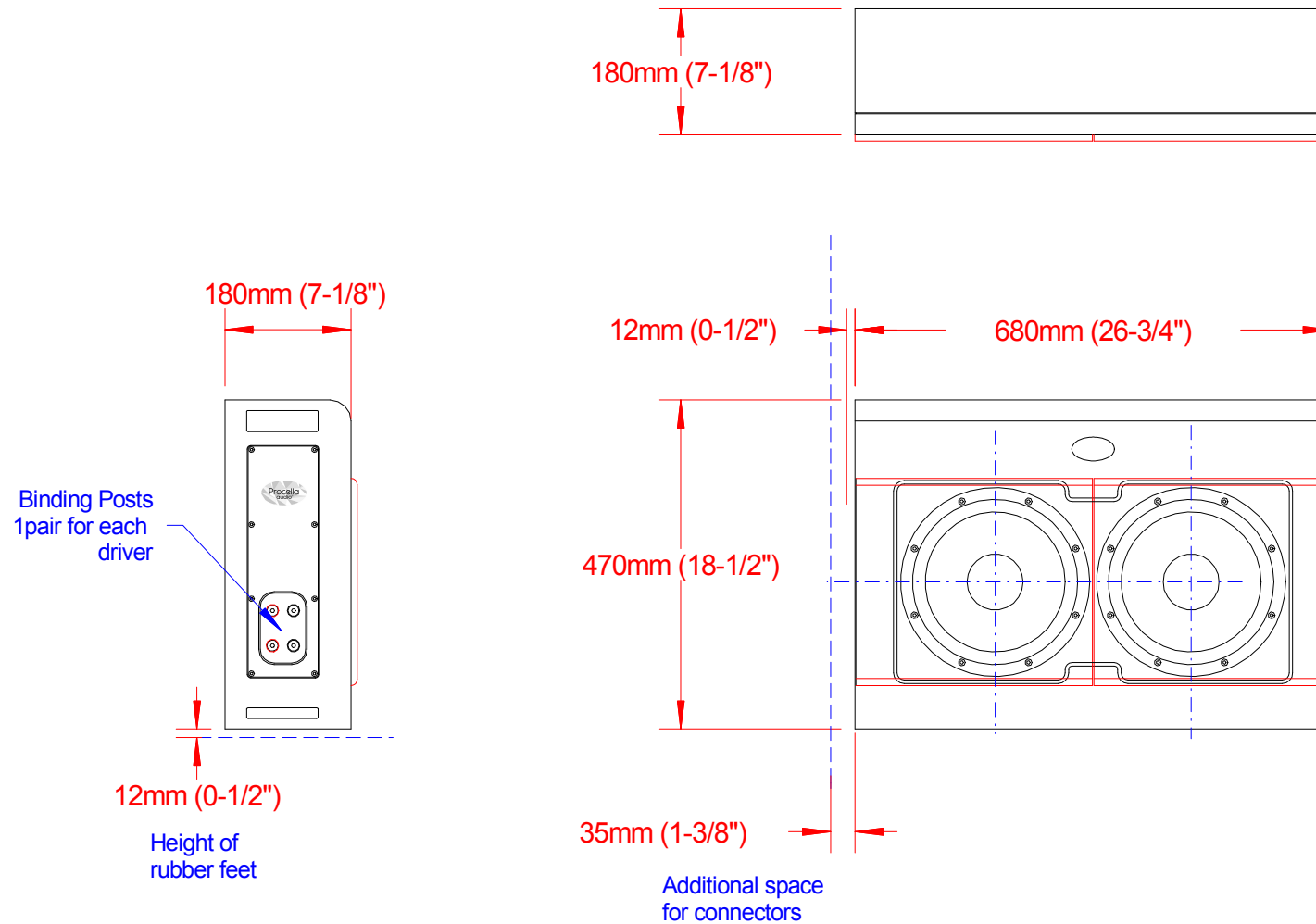
**Line Voltage** 100 - 250V, 40 - 80 Hz

#### Dimensions

WxHxD 19" x 1.75" (1U) x 14.1"  
483 x 44 x 359 mm

**Weight** 13.7 lbs / 6.2 Kg

# P10-FP



Baffle wall cut-out P10 = 720 x 500mm (28.4" x20")  
Weight = 19kg (51Lbs)



Procella P10-FP dimensions  
Anders Uggeberg, 25/7-17  
UPD:  
Scale 1:10 (PDF/JPG-file not to scale)  
P10-FP\_ext\_dim.CAD