



P10-FP

Subwoofer with External Amplification

Technical Specifications



- Recommended for small to mid-size rooms
- Twin 10" long-throw drivers with 2.5" voice coils
- 300W+300W with Procella DA05-DSP rack-mount power amplifier
- Critically reinforced sealed box cabinet design
- Maximum output 119 dB @ 50Hz
- - 3 dB point 26 Hz
- Ultra-slim profile (7.1" / 180mm deep)
- Amplifiers provide DSP control for room boundary conditions:
 - against wall
 - in corner
 - in baffle wall

Frequency Response

-3 dB 26 Hz

Maximum SPL

@ 50 Hz 119 dB

Components

Dual long-throw 10" drivers with 65mm voice coils in 36 litre sealed box

Impedance

Each driver is 8 ohms nominal

Power Handling

Continuous 2 x 300 W

Peak 2 x 750 W

Sensitivity

1m/1W 95 dB

Connectivity

Dual gold-plate binding posts
One input per driver

Construction

Heavily internally braced MDF
Studio vinyl finish as standard

Dimensions

HxWxD 18.5" x 26.8" x 7.1"
470 x 680 x 180 mm

Shipping Carton

12.25" x 31.5" x 23"
310 x 800 x 585 mm

Net weight

43 Lbs
19.5 Kg

Shipping weight

51.8 Lbs
23.5 Kg

Included

Damper feet
Parallel connection cables

Assembly

Sweden; 100% QC testing

DA05-DSP Power Amplifier

Sold and packaged separately.
See DA-05 / DA-06 Tech Sheet for details.

Class D Power

300W + 300W continuous

DSP Settings

Free standing, Against wall,
In corner, In baffle wall

Line Voltage

100 - 250V, 40 - 80 Hz

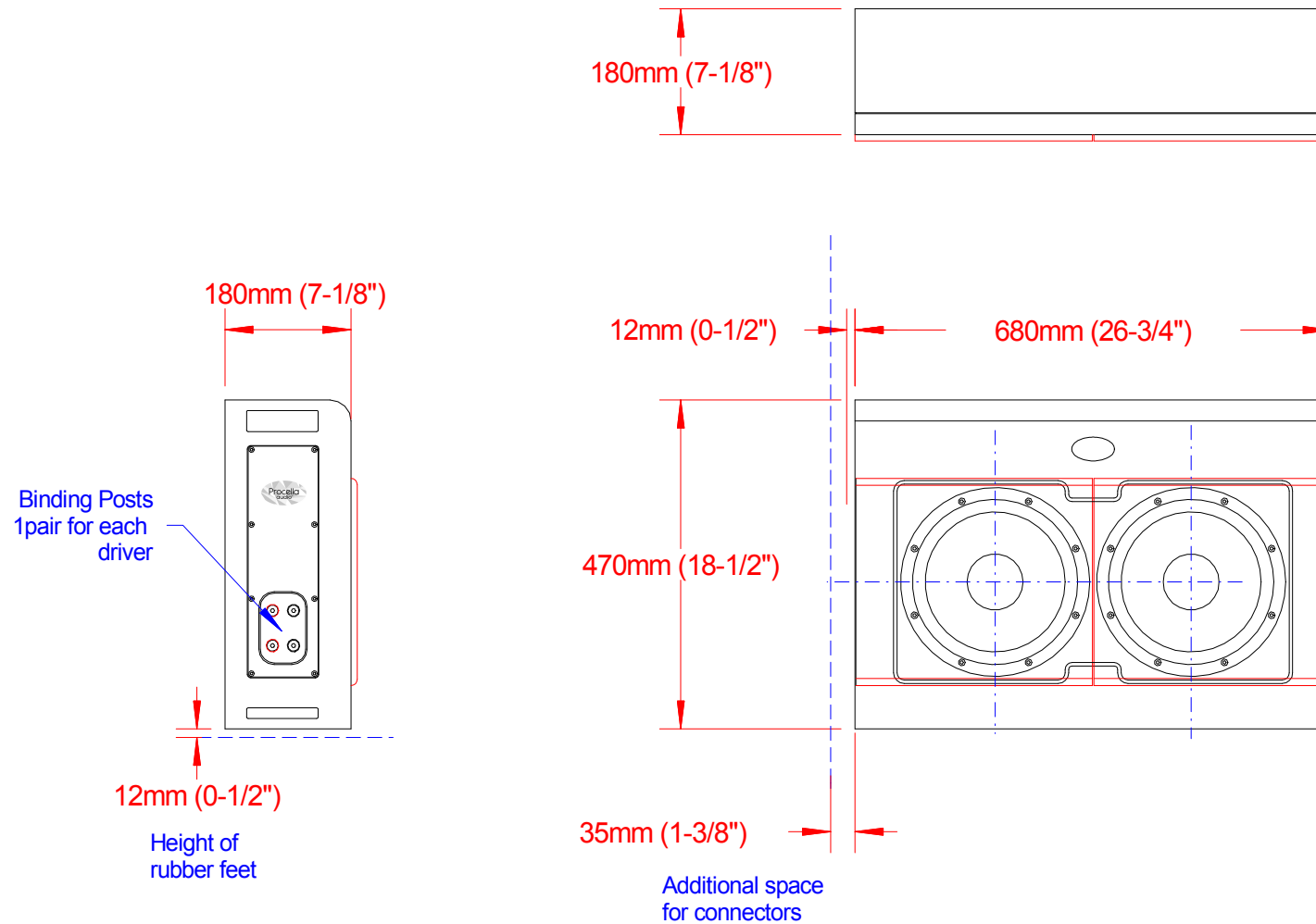
Dimensions

WxHxD 19" x 1.75" (1U) x 14.1"
483 x 44 x 359 mm

Weight

13.7 lbs / 6.2 Kg

P10-FP



Baffle wall cut-out P10 = 720 x 500mm (28.4" x20")
Weight = 19kg (51Lbs)



Procella P10-FP dimensions
Anders Uggeberg, 25/7-17
UPD:
Scale 1:10 (PDF/JPG-file not to scale)
P10-FP_ext_dim.CAD