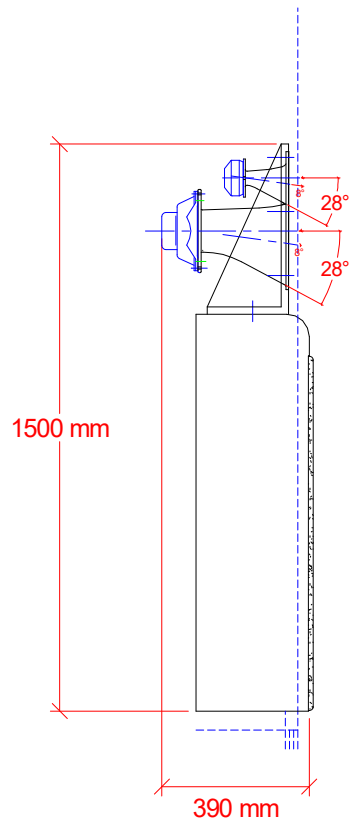
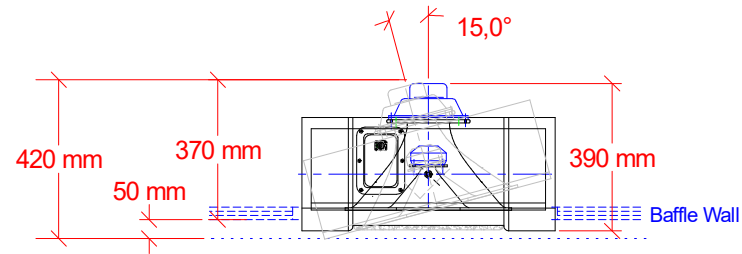
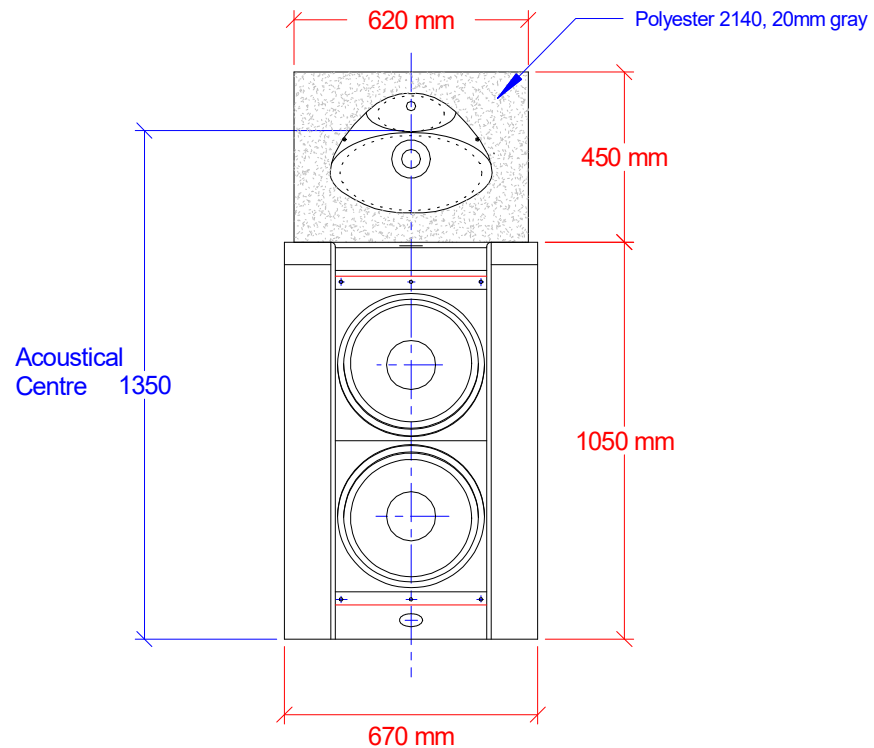


C124V



Baffle wall cut-out = 1550 x 700mm
Weight = TBA



Procella C124V Assembly
Anders Uggelberg 23/8 -16
UPD: 28/8, 15/4-23
C124V_ext_dim.CAD
Scale 1:20 (PDF/JPG-file not to scale)