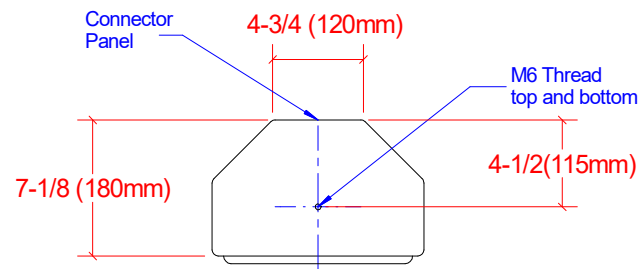
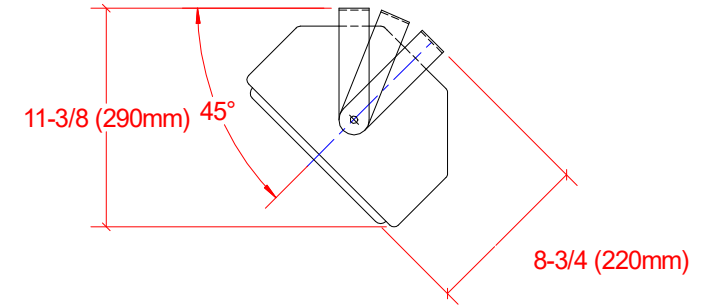
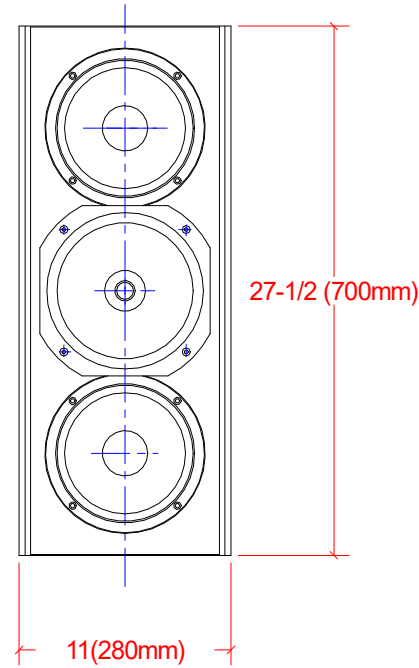


# C28



Sides, Back: 16mm MDF  
Baffle: 19mm MDF  
Black, structured paint,  
VB: 21L



Procella C28 1(1)  
Anders Uggelberg 15/9 -16  
UPD: 14/1-17,29/3,30/10,14/11, 8/4-22  
17/4-23  
C28\_VUE.CAD  
Scale 1:10 (PDF/JPG-file not to scale)