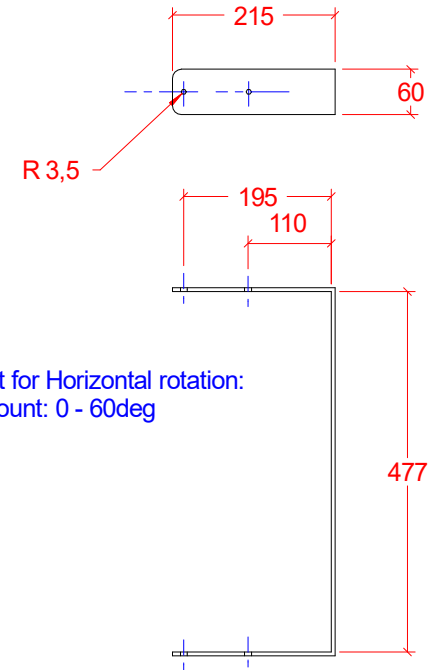
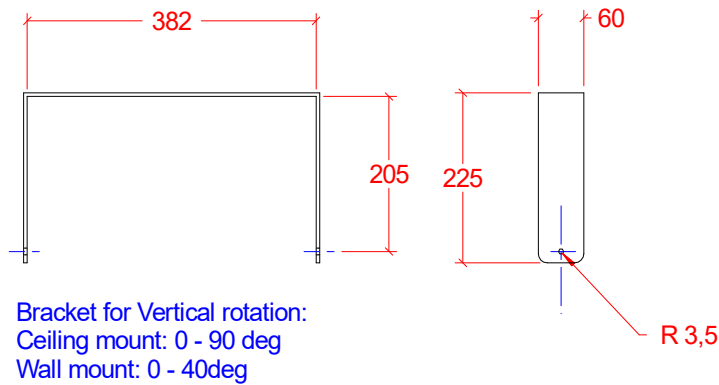
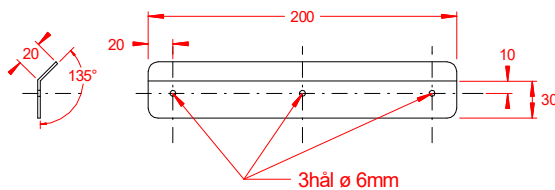


C10 Bracket



Included Wall bracket
not to scale



Procella C10 Bracket
Anders Uggelberg 16/4-23
UPD:
Scale 1:10 (PDF/JPEG not to scale)
C10_bracket.CAD