



P5V

L/C/R/Surround Speaker

Technical Specifications



- Procella at its most affordable: performance identical to the award-winning P5 bookshelf
- Elegant finish is ideal for mounting next to flat panels and screens
- Main and surround speaker for small to mid-size rooms up to 20 feet in depth
- 1" compression driver on circular constant directivity waveguide: 80° from 2.5kHz
- 5.25" high-output pro woofer driver
- Identical Voice™ timbre-matched to all Procella models
- Sealed-box design
- Can be oriented horizontally or vertically with multiple mounting options
- Black or White cabinet finish
- Use with or without magnetically attached cloth grille

Impedance 8 Ohms nominal
Phase angles less than 45 degrees

Power handling
Continuous 75 Watt
Peak 250 Watt

Sensitivity
1m/1W 91dB

Maximum SPL
free-standing 107dB continuous, 113dB peak
in wall 113dB continuous, 119dB peak

Frequency response
-3dB points 90Hz and 20kHz

Dispersion pattern
-6dB Constant directivity;
80° circular from 2.5kHz

Crossover Asymmetrical and phase aligned
2.2kHz, BSC

Components
Midrange 5.25" driver with 26mm voice coil in 5 litre sealed box

High Frequency 1" compression driver on a circular constant directivity wave guide

Connectivity Gold plated large diameter binding posts

Wall Mount Inserts for VESA 100 bracket and keyholes provided for both vertical and horizontal mounting

Finish White or Black semi-matte painted finish. MDF construction, removable cloth grille

Dimensions
HxWxD 18.5" x 7.5" x 4.5" / 470 x 190 x 115 mm

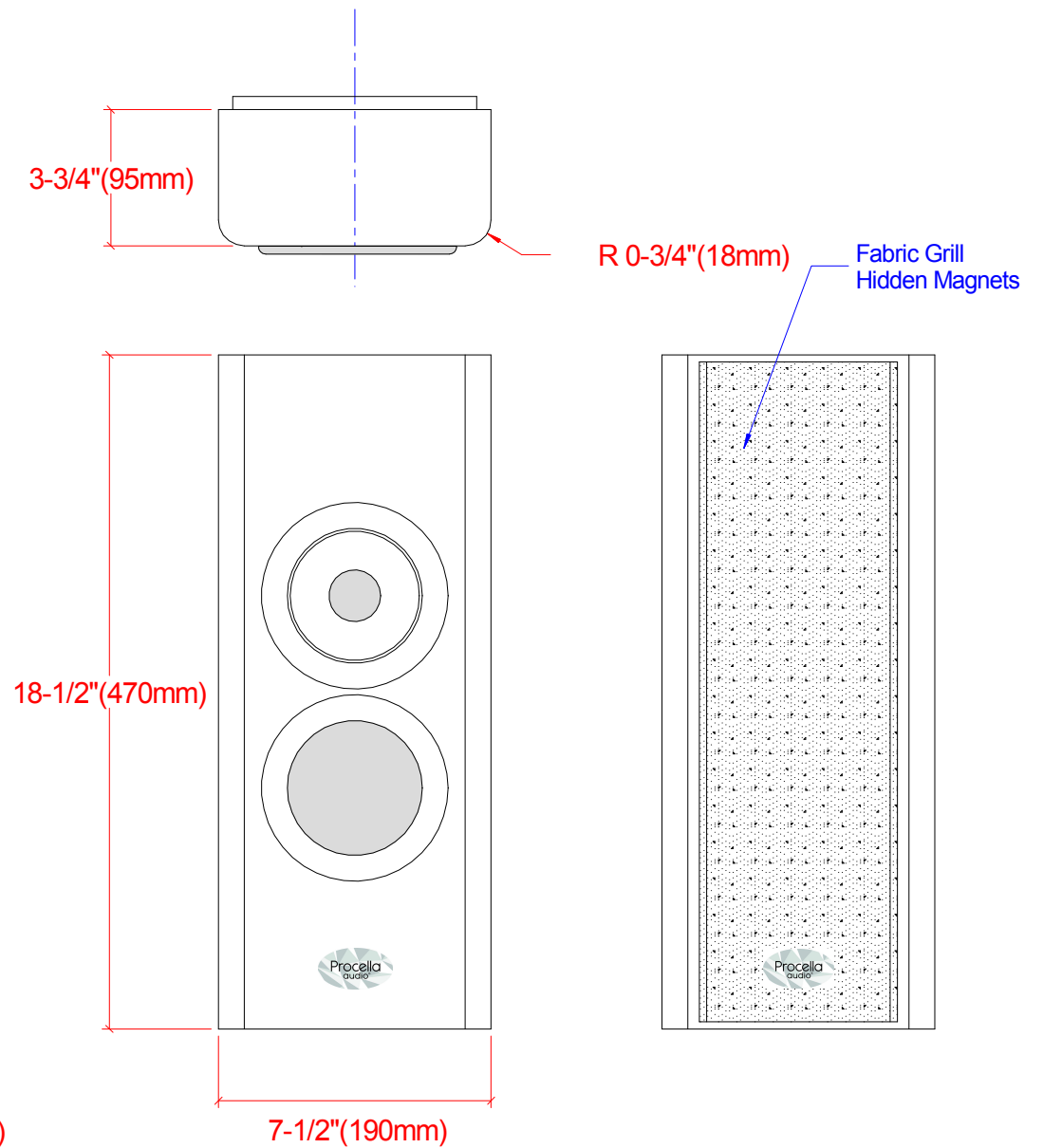
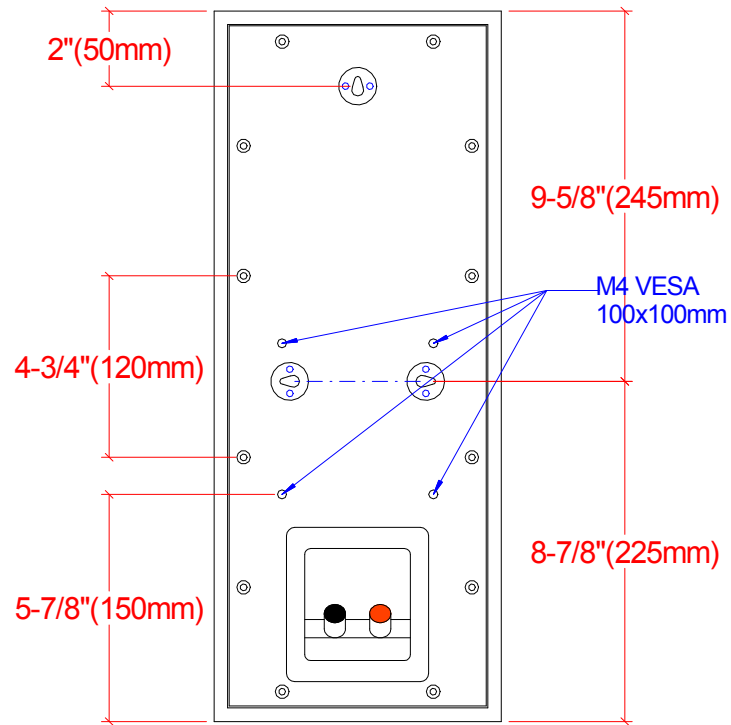
Shipping Carton
HxWxD 23.6" x 11.6" x 7.9" / 600 x 295 x 200 mm

Net weight 11 Lbs / 5.0Kg

Shipping weight 13.2 Lbs / 6.0Kg

Assembly Sweden; 100% QC testing

P5V



Sides, Top, Bottom: 12mm MDF
Front: 18m MDF
Black, White semi-matte paint
Weight = 5,0kg
Filling : 3.5L
Box volume = 5.6L
Package: 600x200x295mm



Procella P5V: Dimensions
Anders Uggelberg, 21 July -15
UPD: 26/8, 20/1-16 8/8-17
Scale 1:5 (PDF/JPG-file not to scale)
P5V_ext_dim.CAD