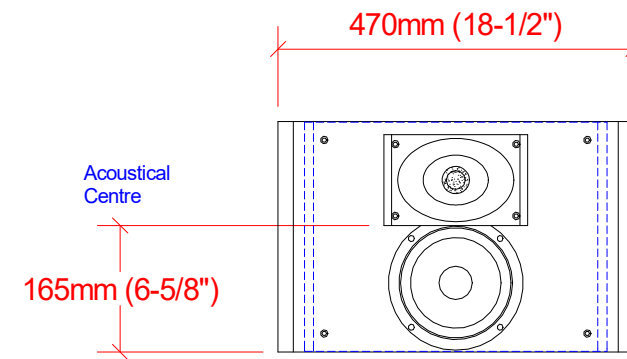
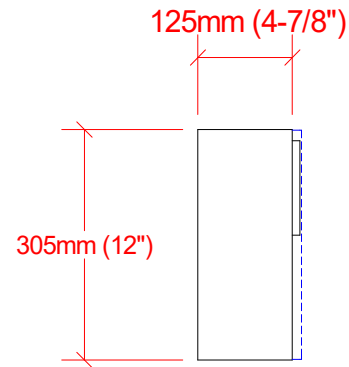
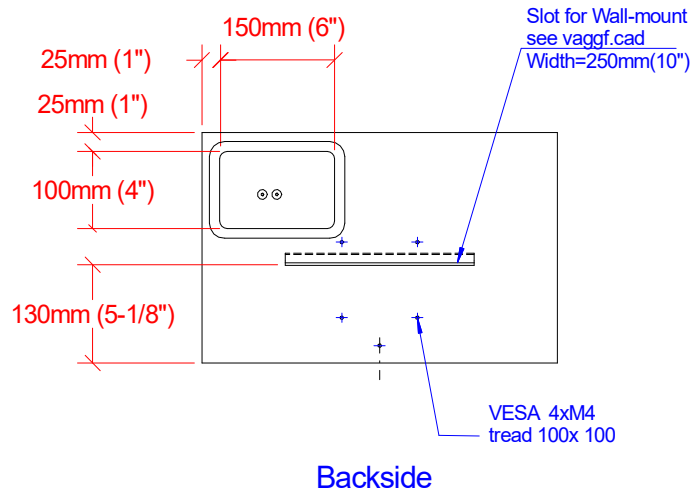
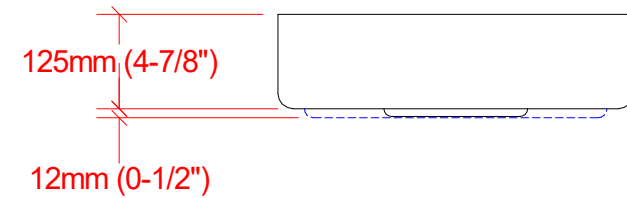
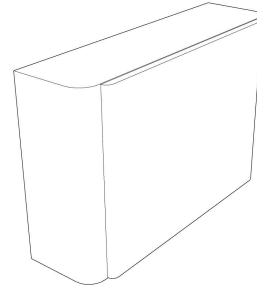


# P6 mkII



Baffle wall cut-out : 500 x 340mm (20" x 13-3/8")  
Weight P6 : 8,5kg / 19Lbs  
Package (HxWxD) : 255x565x395mm  
(10" x 22-1/8" x 15-1/2" )



Procella P6 mkII external dimensions  
Anders Uggelberg, April 12 -21  
UPD:23/5  
Scale 1:10 (PDF/JPG-file not to scale)  
P6\_V2\_ext.dim.CAD