



P815

Bi-amplified L/C/R Speaker

Technical Specifications



- Main speaker for large to very large rooms, up to and including small cinemas
- For rooms 8 to 16 m (25 to 50 feet) in depth
- THX Approved for integration into professional rooms, including THX Certified Screening Rooms and THX pm3 Studios
- 1.5" compression driver on elliptical constant directivity waveguide: 80°H x 50°V from 1.5 kHz
- 8" high-output midrange with 40mm voice coil
- 15" woofer with 3" voice coil
- Identical Voice™ timbre-matched to Procella P5, P6, P8, P28, P610 and P860
- Sealed box design
- Shallow depth (11.0" / 280mm deep)
- Ideal performance with Procella DA06-DSP or two channels of the DA2800-DSP power amplifier
- Procella DSP amps provide EQ for room placement conditions including baffle wall, free standing, and location behind acoustically transparent screen

Frequency response

-3dB points 40Hz and 20kHz

Maximum SPL

free-standing 122dB continuous, 126dB peak
in baffle wall 126dB continuous, 132dB peak

Components

Low (P15Si) 15" driver with 75mm voice coil in 92 litre sealed box
Midrange (P8) 8" high output driver with 40mm voice coil in 15 litre sealed box
High Frequency (P8) 1.5" driver, Polyester diaphragm, on elliptical constant directivity waveguide

Impedance

Low (P15Si) 8 ohms nominal
Mid/High (P8) 8 ohms nominal

Power Handling

Low (P15Si) 700W continuous, 1,500W peak
Mid/High (P8) 250W continuous, 1,000W peak

Sensitivity

1m/1W 96 dB

Dispersion pattern

-6dB Constant directivity:
80°H x 50°V from 1.5kHz

Crossover

4th Order Linkwitz-Riley , 1.6 kHz, 150Hz

Connectivity

2 pair gold-plated binding posts

Construction

Void free MDF internally cross braced
Painted black finish

Dimensions

HxWxD 1030 x 480 x 280 mm
40.6" x 18.9" x 11.0"

Net weight

39.2 Kg
86.4 Lbs

Shipping Cartons (2) and Weight

P8 HxWxD 500 x 600 x 300 mm
19.75" x 23.6" x 12"

P8 Weight

16.9 Kg / 37.5 lbs.

P15Si HxWxD

600 x 720 x 400 mm
23.6" x 28.4 x 15.75"

P15Si Weight

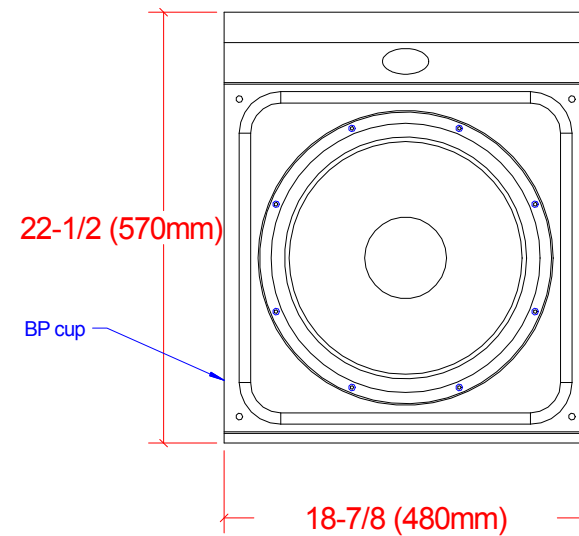
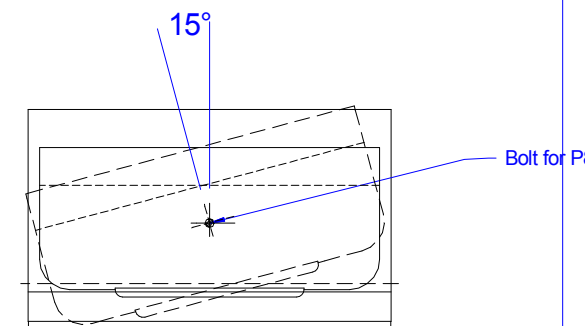
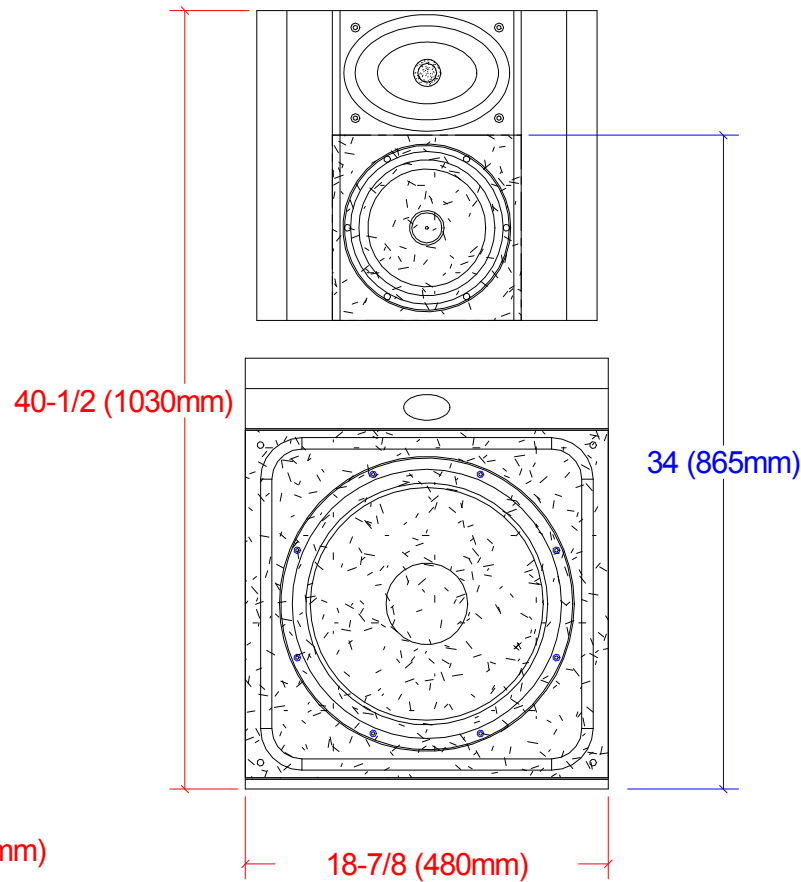
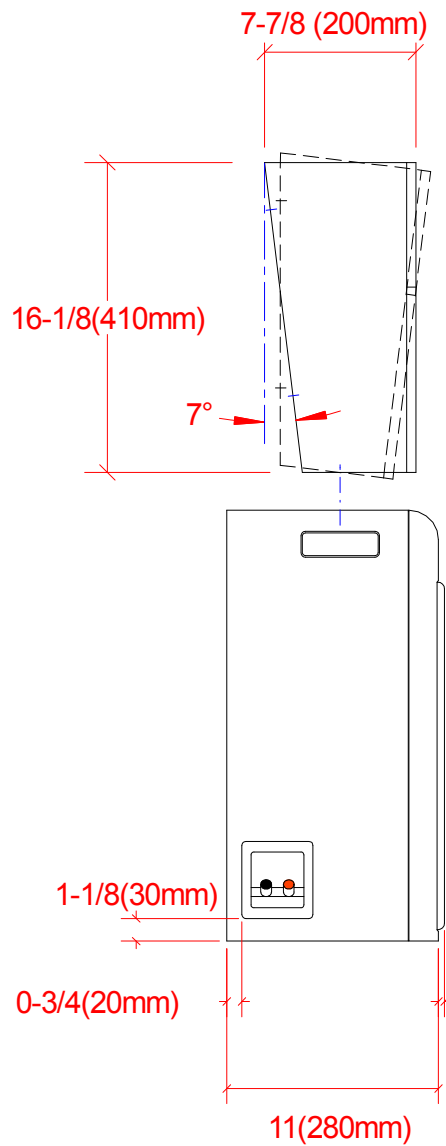
29 Kg / 63.9 lbs.

Included

Connecting Bracket, Damper feet

Assembly

Sweden; 100% QC testing



Baffle wall cut-out for
 P15Si = 610 x 510mm
 P8 = 480 x 440mm
 P815 = 1110 x 510mm

21mm MDF, Black, semi matte paint
 VB: 51L - 40L filling
 Packaging: 600x700x450mm

Procella P815 dimensions
 Anders Uggeberg 26/12 -13
 UPD: 22/2, 8/9, 7/7-16

P815_vue.CAD
 Scale 1:10 (PDF/JPG-file not to scale)



T-nut tolerances: 0.5mm
 Outside tolerance: +2mm
 Bracket position +20mm
 All other tolerances +0.5mm