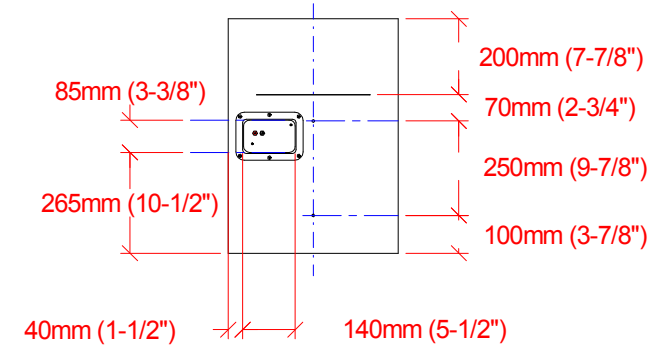
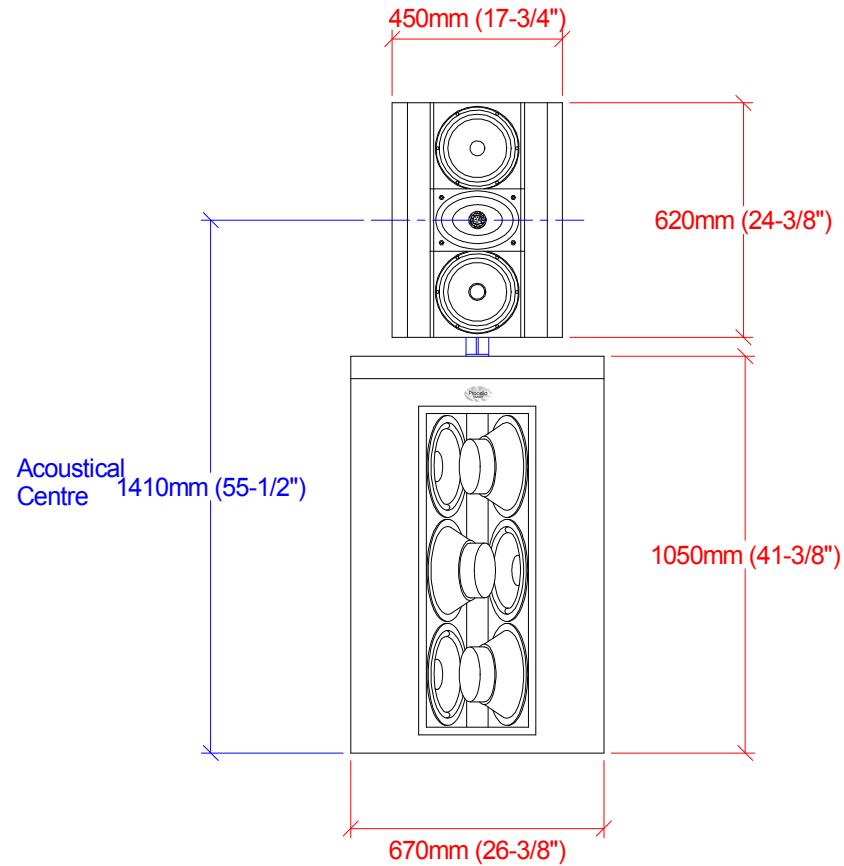
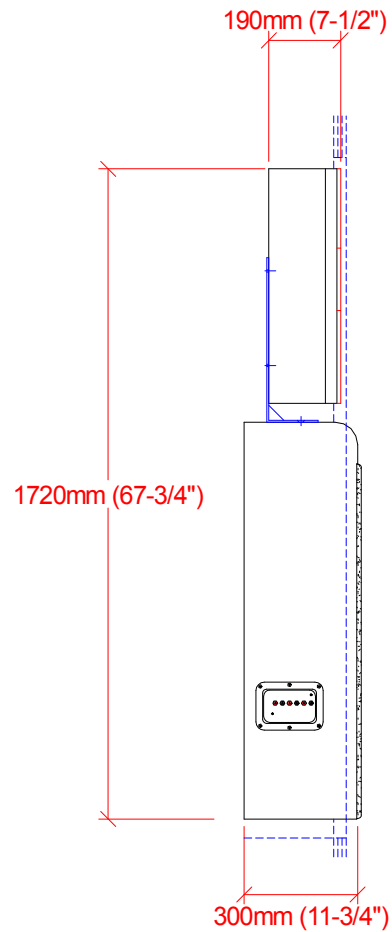
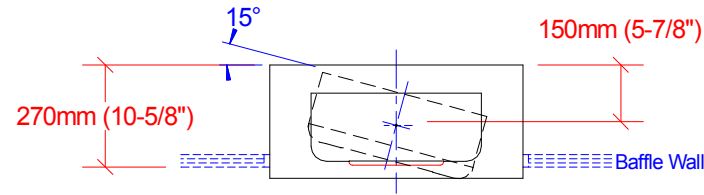


P860



Baffle wall cut-out = 1'800mm x 700mm (71"x27.5")
Weight = 77 kg / 170 Lbs



Procella P860 Assembly
Anders Uggelberg 24/8 -11
UPD: 25/1, 6/7-15, 21/5, 18/10, 18/7-18
P860_ext_dim.CAD
Scale 1:20 (PDF/JPG-file not to scale)