



# P860

## Bi-amplified High Output L/C/R Speaker

### Technical Specifications



- Very high output main speaker for the largest domestic rooms up to and including mid-size cinemas
- Recommended for rooms 12 to 24 metres in length (40 to 80 feet)
- Stands nearly six feet tall
- Active bi-amplification with Procella power amplifiers: one DA2800-DSP or two DA-06DSP
- 1.5" compression driver on elliptical constant directivity waveguide: 80°H x 50°V from 1.5 kHz
- Dual 8" high-output midranges
- V6™ Power: 6 x 10" woofers with 65mm voice coils
- V-loaded driver configuration increases output, lowers distortion and improves transient response
- Sealed box design
- Full-range operation with extension to 40 Hz
- Shallow depth (300mm / 11.8" deep)

#### Impedance

Mid/HF 4 Ohms nominal  
Low Frequency 3 inputs, each 6 Ohms nominal

#### External Amplification with DSP Presets

One Procella DA2800-DSP or  
Two Procella DA06-DSP power amps

#### Sensitivity

1m/1W 99 dB

#### Maximum SPL

free-standing 128dB continuous, 132dB peak  
in baffle wall 132dB continuous, 138dB peak

#### Frequency response

-3dB points 40Hz and 20kHz

#### Dispersion pattern

-6dB Constant directivity:  
80°H x 50°V from 1.0 kHz

#### Crossover

4th Order Linkwitz-Riley  
1.6 kHz and 150Hz

#### Connectivity

4 pair gold-plated binding posts  
3 inputs LF, 1 input HF

#### Construction

Void free MDF, internally cross-braced  
Painted black finish

#### Components

Low Frequency Procella V6™ configuration:  
6 x 10" drivers with 65mm voice coils  
in 150 litre sealed box

Midrange 2 x 8" high output drivers with  
40mm voice coil in 30 litre sealed box

High Frequency 1.5" driver with a Polyester diaphragm on  
elliptical constant directivity waveguide

#### Dimensions

HxWxD 1720 x 670 x 300 mm  
67.75" x 26.4" x 11.8"

#### Net weight

77 Kg  
170 Lbs

#### Shipping Cartons (2) and Weight

P28 HxWxD 300 x 570 x 750 mm  
11.8" x 22.5" x 29.5"

P28 Weight 23.0 Kg / 50.7 lbs.

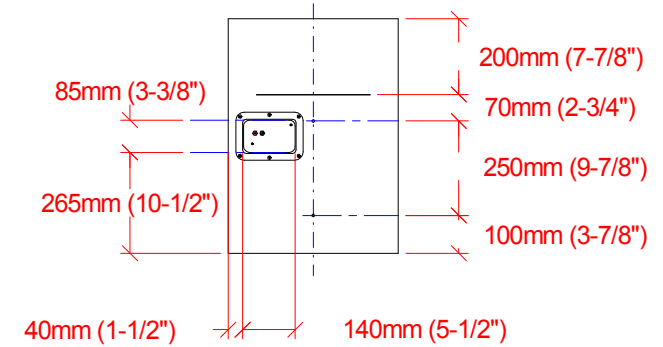
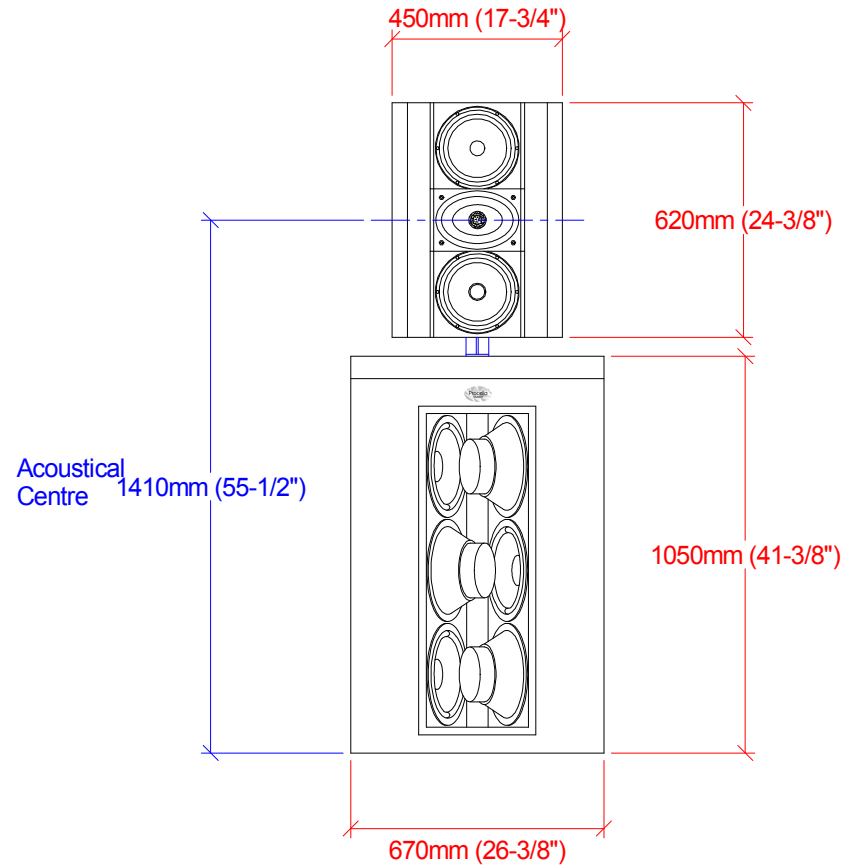
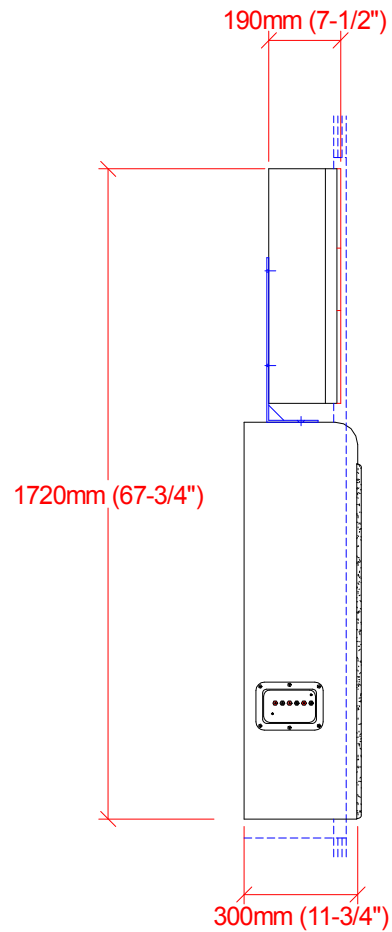
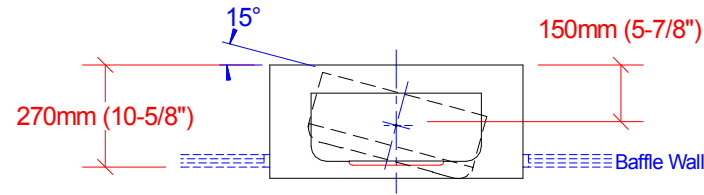
V6 HxWxD 400 x 1150 x 755 mm  
15.75" x 45.3" x 29.75"

V6 Weight 60 Kg / 132.3 lbs.

Included Loudspeaker bracket, Damper feet

Assembly Sweden; 100% QC testing

# P860



Baffle wall cut-out = 1'800mm x 700mm (71"x27.5")  
Weight = 77 kg / 170 Lbs



Procella P860 Assembly  
Anders Uggelberg 24/8 -11  
UPD: 25/1, 6/7-15, 21/5, 18/10, 18/7-18  
P860\_ext\_dim.CAD  
Scale 1:20 (PDF/JPG-file not to scale)