



# P10

## Active DSP Subwoofer

### Technical Specifications



- Dual-Drive Dual-Amp design
- Recommended for small to mid-size rooms
- Twin 10" long-throw drivers with 2.5" voice coils
- 350W+350W of high-efficiency green Class-D amplification
- Sealed-box design with heavily braced cabinet
- Maximum output 119 dB @ 50Hz
- - 3 dB point 26 Hz
- Ultra-slim profile (7.1" / 180mm deep)
- 28-bit DSP control for room boundary conditions:
  - free standing
  - against wall
  - in corner
  - in baffle wall

#### Frequency Response

-3 dB 26 Hz

#### Maximum SPL

@ 50 Hz 119 dB

#### Components

Dual long-throw 10" drivers with 65mm voice coils in 36 litre sealed box

#### DSP Section

28 / 56 bit ADI Sigma

#### DSP Settings

User selectable  
Free standing  
Against wall  
In corner  
In baffle wall

#### Amplifier

350W + 350W  
Class-D

#### Line Voltage

100 - 250V, 40 - 80 Hz

#### Connectivity

Balanced XLR  
RCA input adaptor provided

#### Construction

Heavily internally braced MDF  
Studio vinyl finish as standard

#### Dimensions

HxWxD  
18.5" x 26.8" x 7.1"  
470 x 680 x 180 mm

#### Shipping Carton

12.25" x 31.5" x 23"  
310 x 800 x 585 mm

#### Net weight

43 Lbs  
19.5 Kg

#### Shipping weight

51.8 Lbs  
23.5 Kg

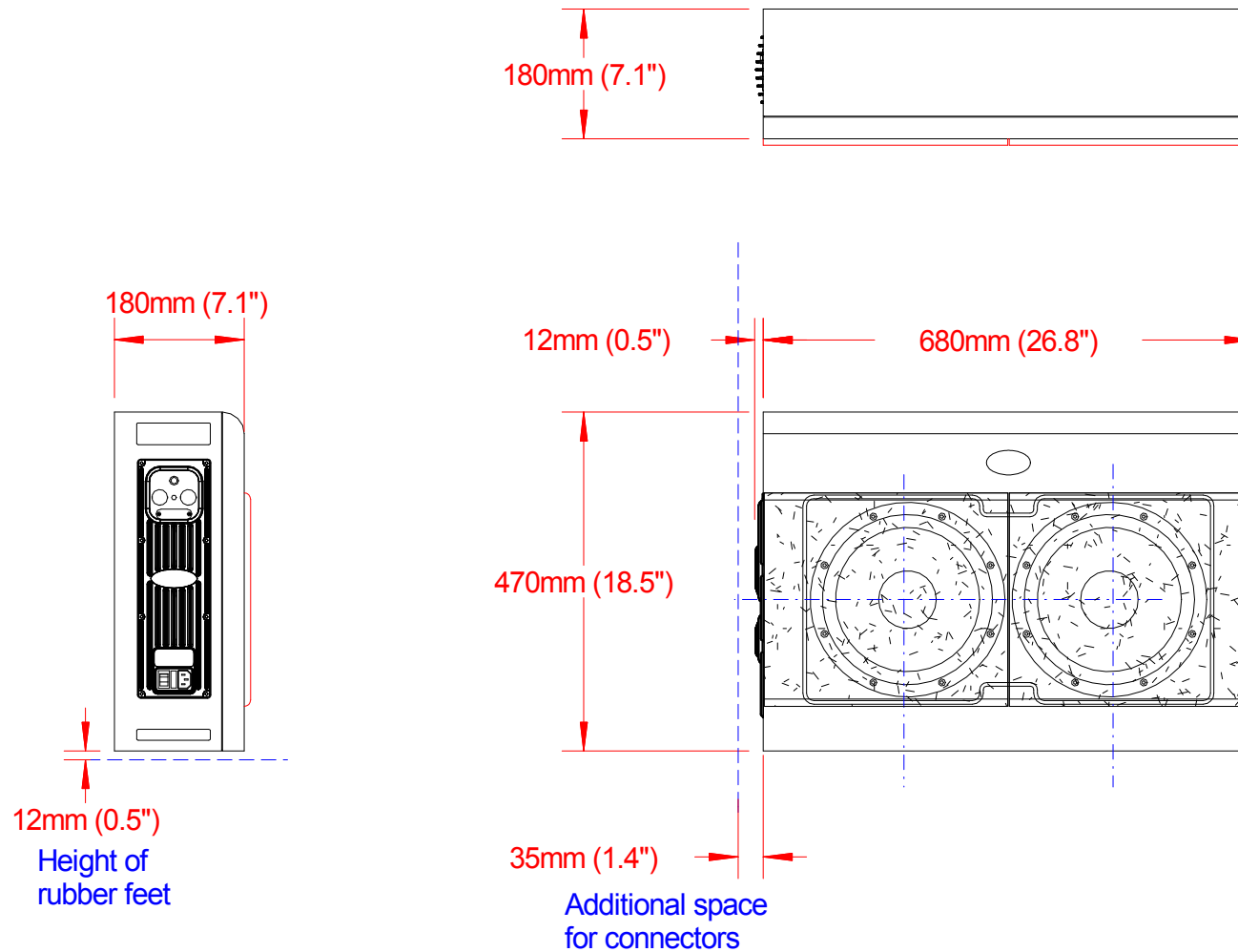
#### Included

Power cord  
XLR-RCA adaptor  
Damper feet

#### Assembly

Sweden; 100% QC testing

# P10



Baffle wall cut-out P10 = 720 x 500mm (28.4" x 20")  
Weight = 24kg

## Procella P10 dimensions

Anders Uggeberg, Aug23 -11

UPD:

Scale 1:10 (PDF/JPG-file not to scale)

P10\_ext\_dim.CAD