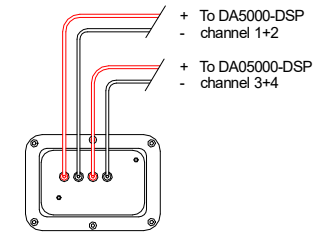
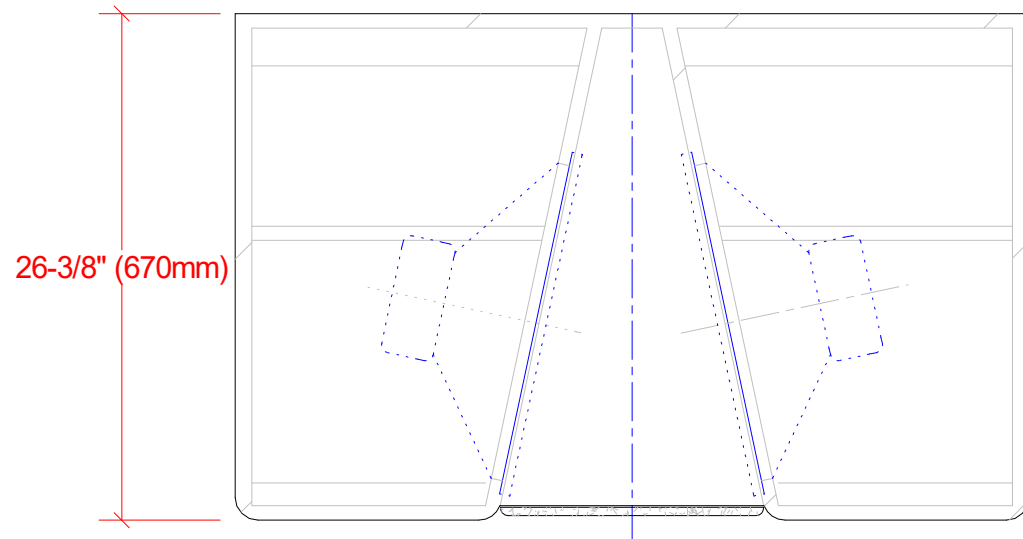
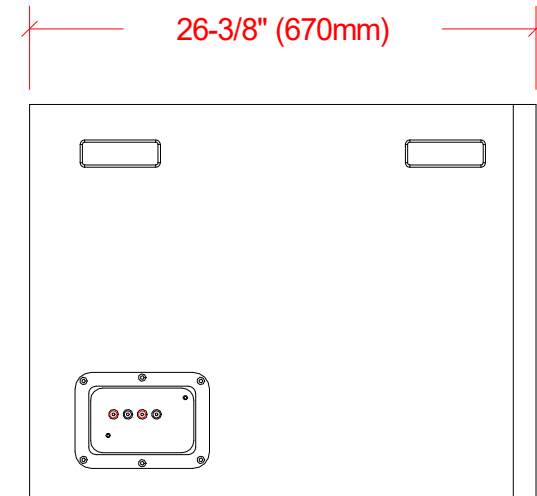
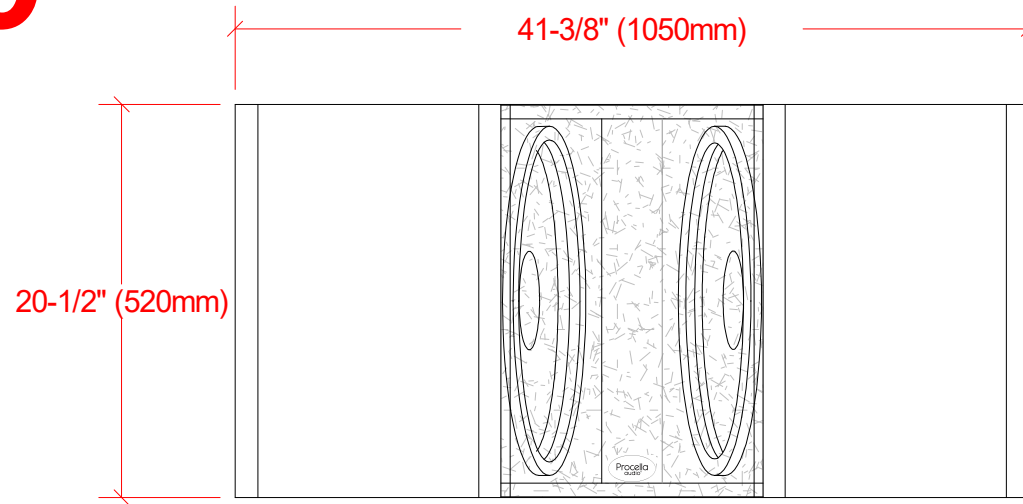


V18



Vb= 2x106L + 78L
Sides: 22mm
Back, Top, Bottom, Front : 19mm



Procella V18
Anders Uggelberg 10/12 -15
UPD: 18/2, 30/4, 7/11-19
Scale 1:10 (PDF/JPEG not to scale)
V18_vue.CAD