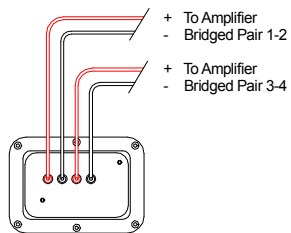
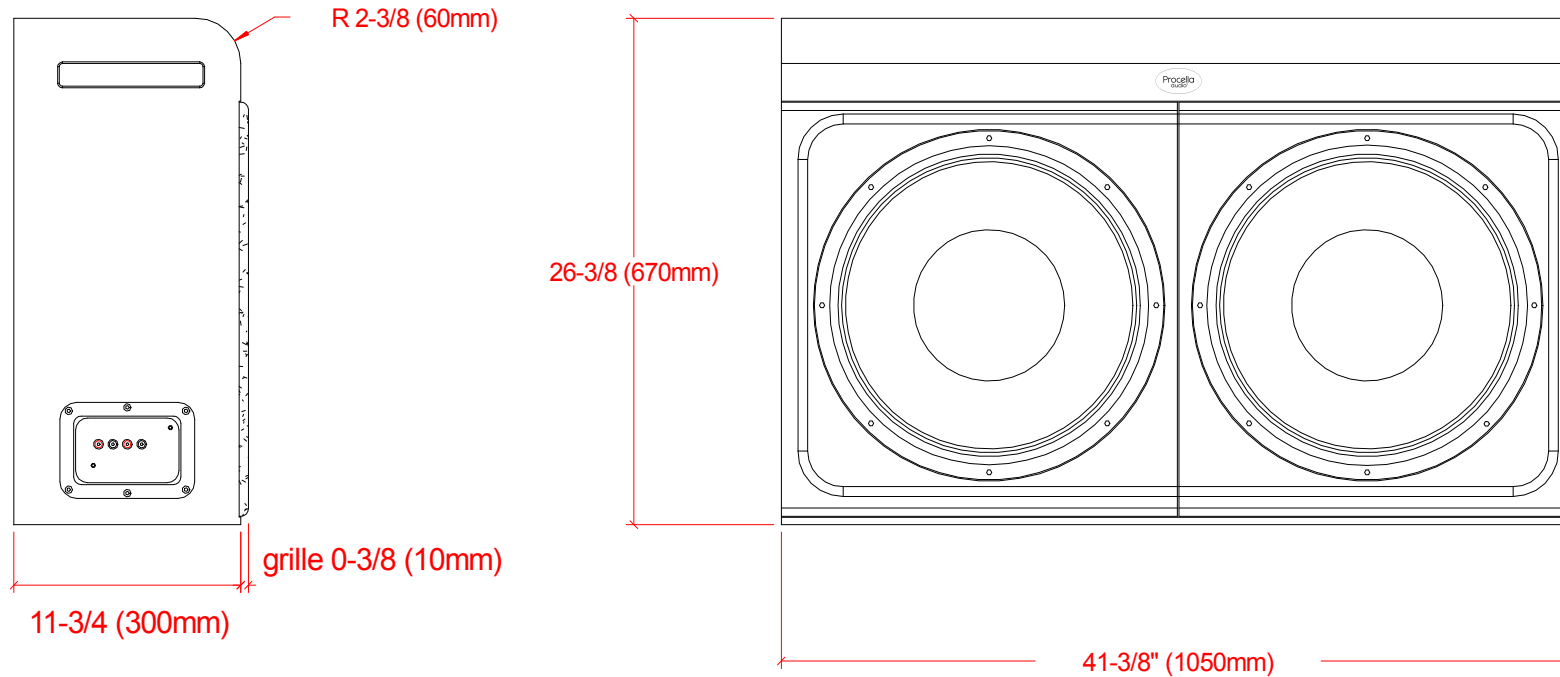


# P18



Baffle wall cut-out = 1100 x 710mm (43.3" x 28" )

21mm MDF, Black, semi matte structured paint  
VB: 160L  
Packaging: 1200x800x400mm



**Procella P18 V3.0**  
P18\_3\_vue.CAD  
Anders Uggeberg 29/6 -15  
UPD:8/9, 20/5, 30/11-18  
Scale 1:10 (PDF/JPG-file not to scale)