



# C124

## Three-Way Tri or Quad Amplified Above Screen Cinema Loudspeaker

### Technical Specifications

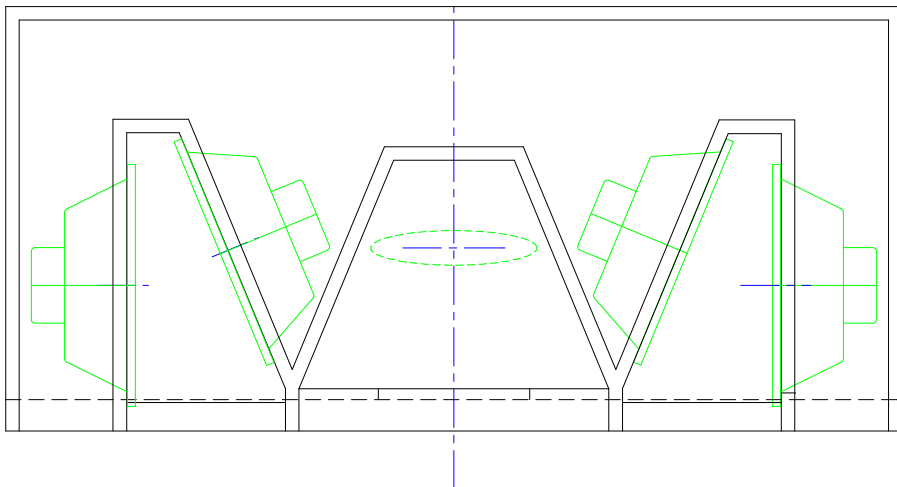
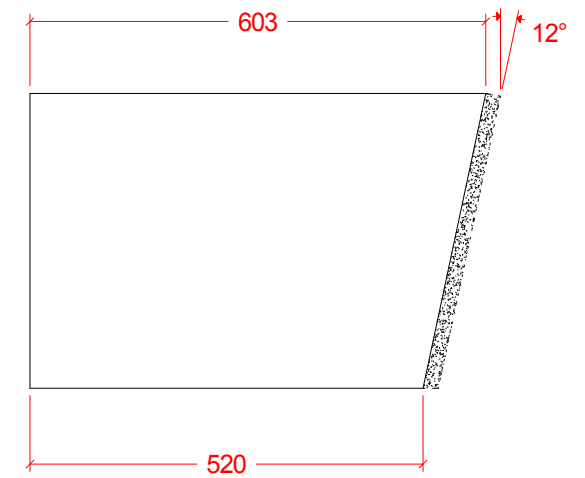
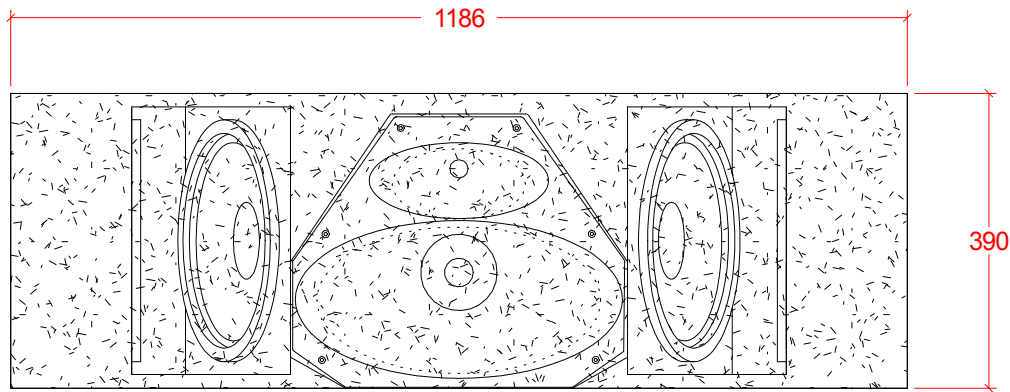


- Three-way tri- or quad-amplified Screen loudspeaker for above screen mounting in medium to large size rooms
- Four 12" high-power low frequency drivers in V-loaded sealed enclosure
- High-power 8" midrange driver on a constant directivity waveguide
- 1" High Frequency compression driver on a constant directivity waveguide
- Uniform asymmetric 90° horizontal x 40° vertical coverage above 1kHz
- 20° downward tilt for midrange and high frequency drivers
- Optional passive 4th order midrange to high frequency crossover

<b>Room Size</b>	≥ 150 seats	<b>Frequency response</b>	
<b>Room Length</b>	15m - 35m	<b>-3dB points</b>	50Hz and 16kHz
<b>Loudspeaker Type</b>	3-way: Quad-Amplified, or Tri-Amplified with passive crossover	<b>Dispersion pattern</b>	
<b>Impedance</b>		<b>-6dB</b>	Constant directivity: 80° horizontal x 30° vertical below axis
<b>Low Frequency</b>	2 inputs, each 4 Ohm	<b>Passive Crossover</b>	4th Order Linkwitz-Riley @1.6 KHz
<b>High Frequency</b>	1 or 2 inputs, each 8 Ohm	<b>Components</b>	
<b>Power handling</b>	<i>Continuous</i> <i>Peak</i>	<b>Low</b>	4 x 12" Neodymium high output driver with 3" voice coil in V-loaded sealed box
<b>Low Frequency</b>	2 x 1,000W    2 x 2,000W	<b>Mid</b>	8" Neodymium driver on elliptical constant directivity waveguide
<b>High Frequency</b>	250W            500W	<b>High</b>	1" driver with 2" voice coil and Polymer diaphragm on elliptical constant directivity waveguide
<b>DSP</b>	1 channel in - 3 channel out; PEQ required	<b>Termination</b>	2 x 4 pole SPEAKON
<b>Amplifier</b>	4 channels recommended, 3 channels optional	<b>Construction</b>	Void free MDF internally cross braced Painted black matte finish
<b>Sensitivity</b>		<b>Dimensions</b>	
<b>1m/1W</b>	102dB LF, 106dB HF	<b>HxWxD</b>	390 x 1186 x 520/603 mm (12° tilt)
<b>Maximum SPL</b>	135dB continuous	<b>Net weight</b>	75 Kg
<b>Freestanding</b>	141dB peak		

Specifications are subject to change without notice.

# C124



18 mm MDF  
Black, structured paint  
Vb= 118L  
Weight: 75kg  
Package: on pallet 1200x800



Procella C124 Ext. Dim.  
Anders Uggelberg 29/6 -15  
UPD: 17/3-19  
C124\_vue.CAD  
Scale 1:10 (PDF/JPG-file not to scale)