



# C28

## Very High Power Cinema Surround Loudspeaker

### Technical Specifications



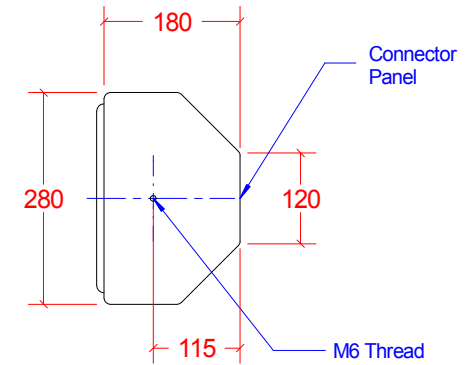
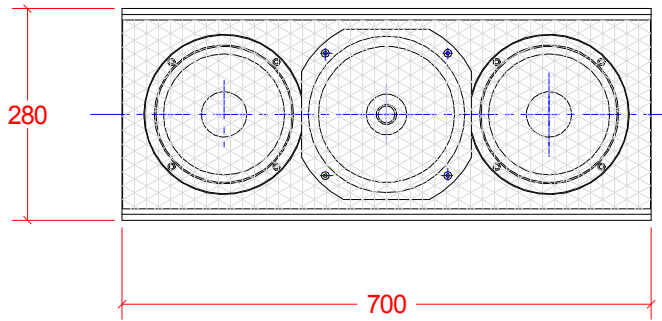
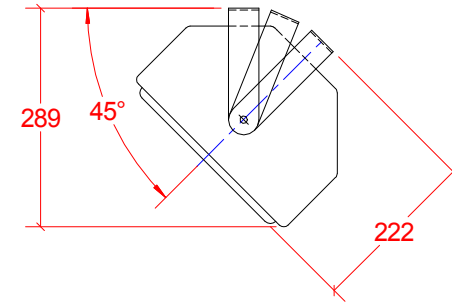
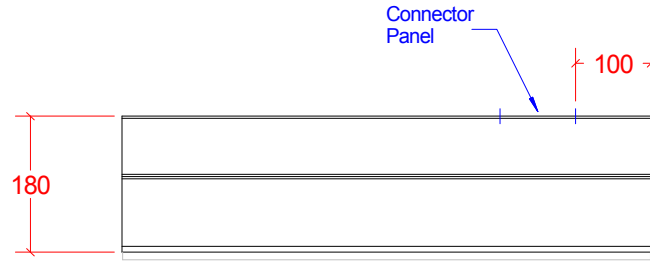
- Very high power Surround loudspeaker for medium and large size rooms
- Ideal for overhead and side wall installation in Dolby Atmos® theaters
- Dual 8" high power low frequency Neodymium drivers with 2" voice coils
- Compression driver on a symmetrical constant directivity waveguide
- Uniform 90° horizontal and vertical coverage above 1 kHz
- Very light enclosure for easy and safe overhead installation

Dolby is a registered trademark of Dolby Laboratories

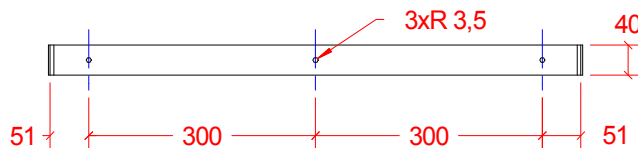
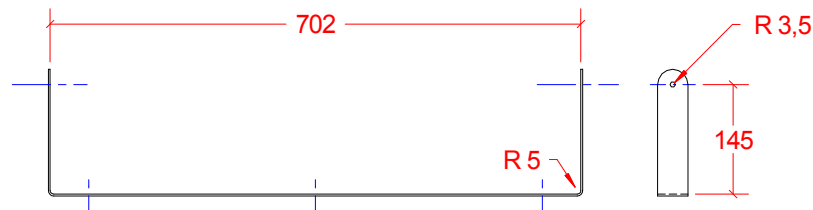
<b>Room Width</b>	≥ 15m	<b>Components</b>	
<b>Impedance</b>	8 Ohms	<b>Low</b>	2 x 8" Neodymium high output drivers with 2" voice coils in a sealed enclosure
<b>Power handling</b>		<b>High</b>	1" compression driver with 1.5" voice coil and Polymer diaphragm on elliptical constant directivity waveguide
<b>Continuous</b>	600W	<b>Termination</b>	Gold-plated binding posts Back of cabinet location
<b>Peak</b>	1,200W	<b>Mounting</b>	Integral M6 threaded inserts provided on enclosure sides; 5" x 2.75" pattern on back baffle
<b>Sensitivity</b>		<b>Construction</b>	Void free MDF internally cross braced Painted black matte finish
<b>1m/1W</b>	99dB	<b>Dimensions</b>	
<b>Maximum SPL</b>	127dB continuous, 133dB peak	<b>HxWxD</b>	700 x 280 x 180 mm
<b>Frequency response</b>		<b>Net weight</b>	16 Kg
<b>-3dB points</b>	60Hz and 20kHz		
<b>Dispersion pattern</b>			
<b>-6dB</b>	90° circular, constant directivity above 1.0 KHz		
<b>Passive Crossover</b>	2nd Order Linkwitz-Riley @1.4 KHz		

Specifications are subject to change without notice.

# C28




Bracket; 2,5mm steel, black



Sides, Back: 16mm MDF  
Baffle: 19mm MDF  
Black, structured paint,  
VB: 21L



Procella C28 1(1)  
Anders Uggeberg 15/9 -16  
UPD: 14/1-17,29/3,30/10,14/11  
C28\_VUE.CAD   
Scale 1:10 (PDF/JPG-file not to scale)