



C124

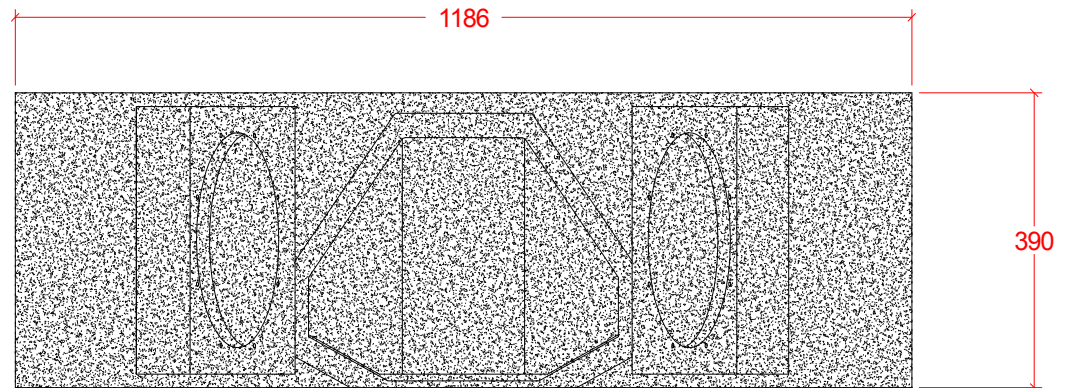
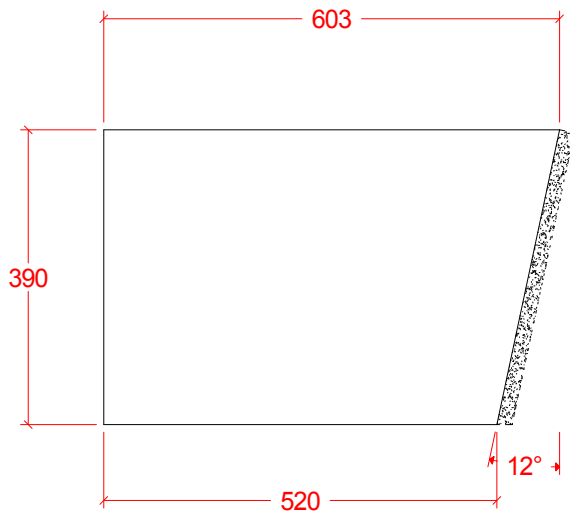
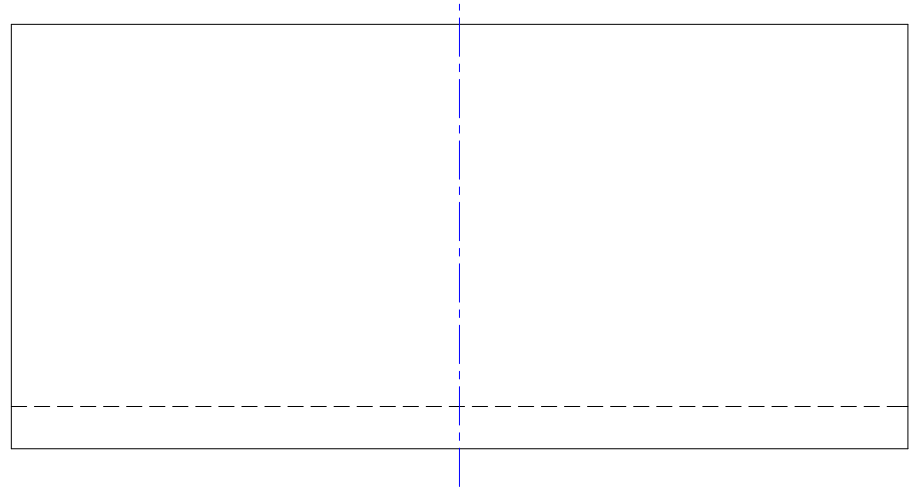
Three-Way Tri or Quad Amplified Above Screen Cinema Loudspeaker *Technical Specifications*



- Three-way tri- or quad-amplified Screen loudspeaker for above screen mounting in medium to large size rooms
- Four 12" high-power low frequency drivers in V-loaded sealed enclosure
- High-power 8" midrange driver on a constant directivity waveguide
- 1" High Frequency compression driver on a constant directivity waveguide
- Uniform asymmetric 90° horizontal x 40° vertical coverage above 1kHz
- 20° downward tilt for midrange and high frequency drivers
- Optional passive 4th order midrange to high frequency crossover

Room Size	≥ 150 seats	Frequency response	
Room Length	15m - 35m	-3dB points	50Hz and 16kHz
Loudspeaker Type	3-way: Quad-Amplified, or Tri-Amplified with passive crossover	Dispersion pattern	
Impedance		-6dB	Constant directivity: 80° horizontal x 30° vertical below axis
Low Frequency	2 inputs, each 4 Ohm	Passive Crossover	4th Order Linkwitz-Riley @1.6 KHz
High Frequency	1 or 2 inputs, each 8 Ohm	Components	
Power handling	<i>Continuous</i> <i>Peak</i>	Low	4 x 12" Neodymium high output driver with 3" voice coil in V-loaded sealed box
Low Frequency	2 x 1,000W 2 x 2,000W	Mid	8" Neodymium driver on elliptical constant directivity waveguide
High Frequency	250W 500W	High	1" driver with 2" voice coil and Polymer diaphragm on elliptical constant directivity waveguide
DSP	1 channel in - 3 channel out; PEQ required	Termination	2 x 4 pole SPEAKON
Amplifier	4 channels recommended, 3 channels optional	Construction	Void free MDF internally cross braced Painted black matte finish
Sensitivity		Dimensions	
1m/1W	102dB LF, 106dB HF	HxWxD	390 x 1186 x 520/603 mm (12° tilt)
Maximum SPL	135dB continuous	Net weight	75 Kg
Freestanding	141dB peak		

Specifications are subject to change without notice.



T-nut tolerances: 0.5mm
 Outside tolerance: +2.0mm
 handle brackets and Cup position +5mm
 All other tolerances +/-1.0mm

18 mm MDF
 Black, structured paint
 Vb= 118L
 (Package: 1200x800x500)



Procella C124 Ext. Dim.
 Anders Uggelberg 29/6 -15
 UPD:

C124_vue.CAD
 Scale 1:10 (PDF/JPG-file not to scale)

