



C102

Three-Way Bi-amplified Above Screen Cinema Loudspeaker

Technical Specifications

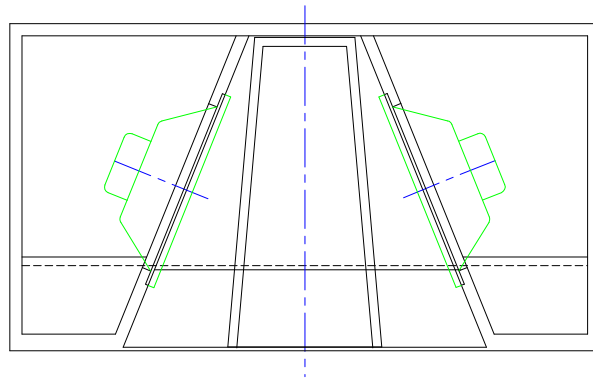
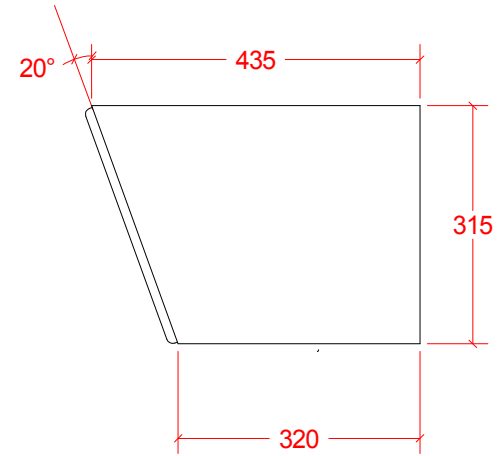
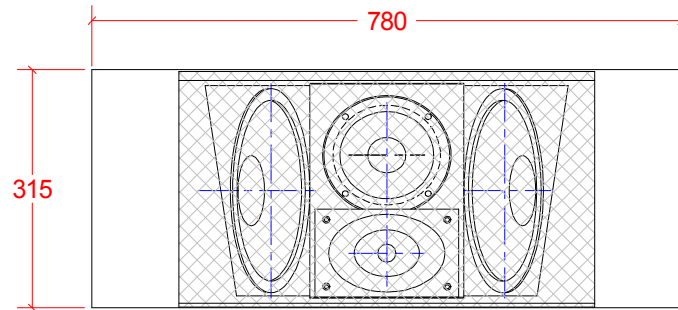


- Three-way bi-amplified loudspeaker for above screen mounting in small to medium size rooms
- Dual 10" high-power low frequency drivers in V-loaded sealed enclosure
- High-power 6.5" midrange driver with a 2" voice coil in sealed enclosure
- 1" High Frequency compression driver on a constant directivity waveguide
- Uniform asymmetric 90° horizontal x 40° vertical coverage above 1kHz
- High quality passive 4th order midrange to high frequency crossover
- Enclosure provides 20° tilt for midrange and high frequency drivers

Room Size	≤ 200 seats	Dispersion pattern	-6dB	Constant directivity: 90° horizontal x 30° vertical below axis 90° horizontal x 10° vertical above axis
Room Length	≤ 22m			
Loudspeaker Type	3-way, Bi-amplified			
Impedance		Passive Crossover	4th Order Linkwitz-Riley @1.6 KHz	
Low Frequency	4 ohm	Components		
High Frequency	8 ohm	Low	2 x 10" high output drivers with 3" voice coil in V-loaded sealed box	
Power handling	<i>Continuous</i> <i>Peak</i>	Mid	6.5" Neodymium driver with 2" voice coil	
Low Frequency	900W 1,800W	High	1" driver with 2" voice coil and Polymer diaphragm on elliptical constant directivity waveguide	
High Frequency	350W 700W			
DSP	1 channel in - 2 channel out	Termination	4 pole SPEAKON	
Amplifier	2 channels required	Construction	Void free MDF internally cross braced Painted black matte finish	
Sensitivity		Dimensions		
1m/1W	101dB	HxWxD	315 x 780 x 320/435 mm (20° tilt)	
Maximum SPL	131dB continuous	Net weight	32 Kg	
Freestanding	137dB peak			
Frequency response				
-3dB points	50Hz and 16kHz			

Specifications are subject to change without notice.

C102



Black matte paint

Baffle:

Sides:

VB: 2x18L

Weight : kg

Package (LxWxH): 00x00x00mm



Procella C102 ext dimensions

Anders Uggelberg 27/3 -17

UPD:19/10

C102_VUE_Prel.CAD

Scale 1:10 (PDF/JPG-file not to scale)